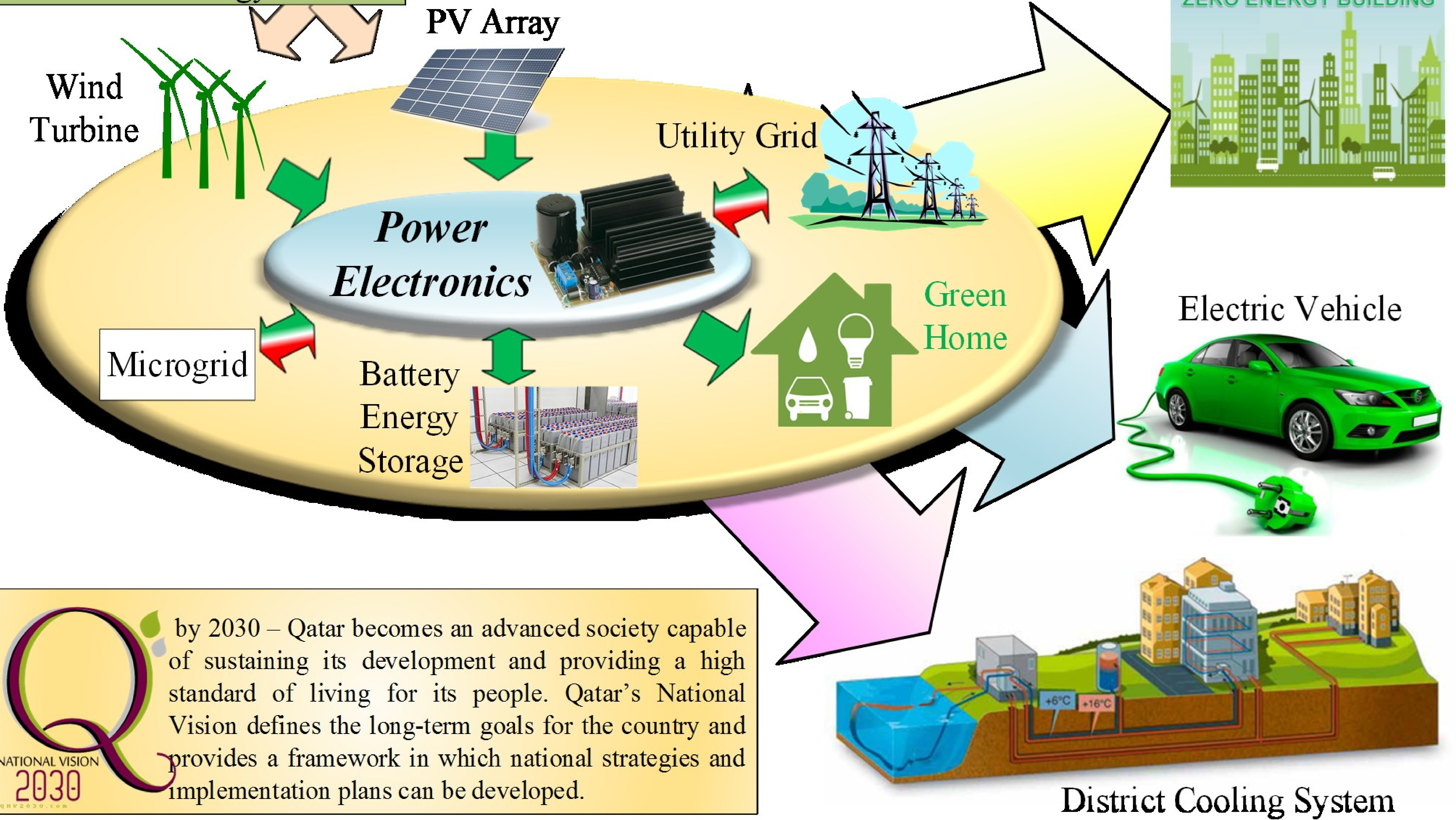


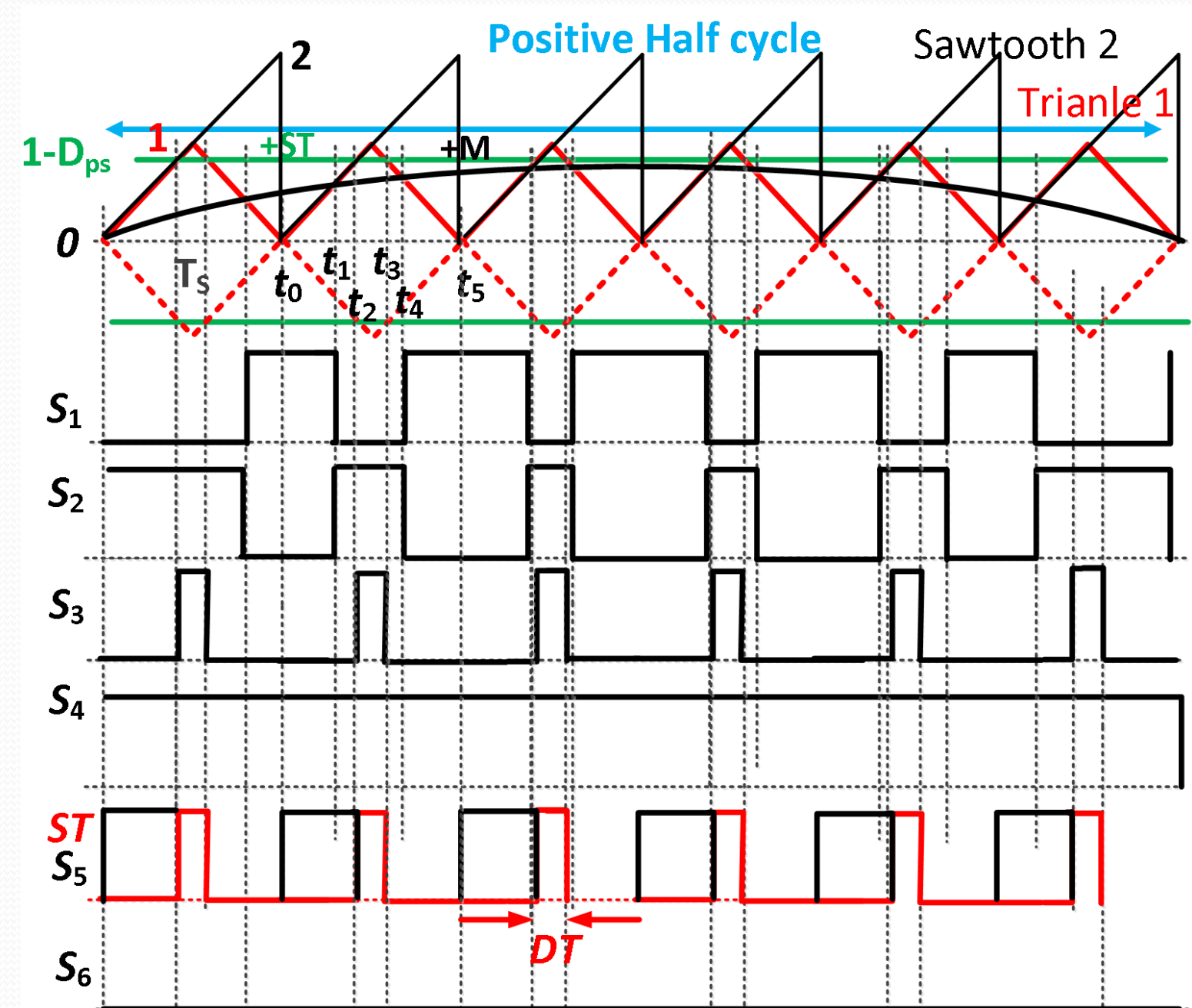
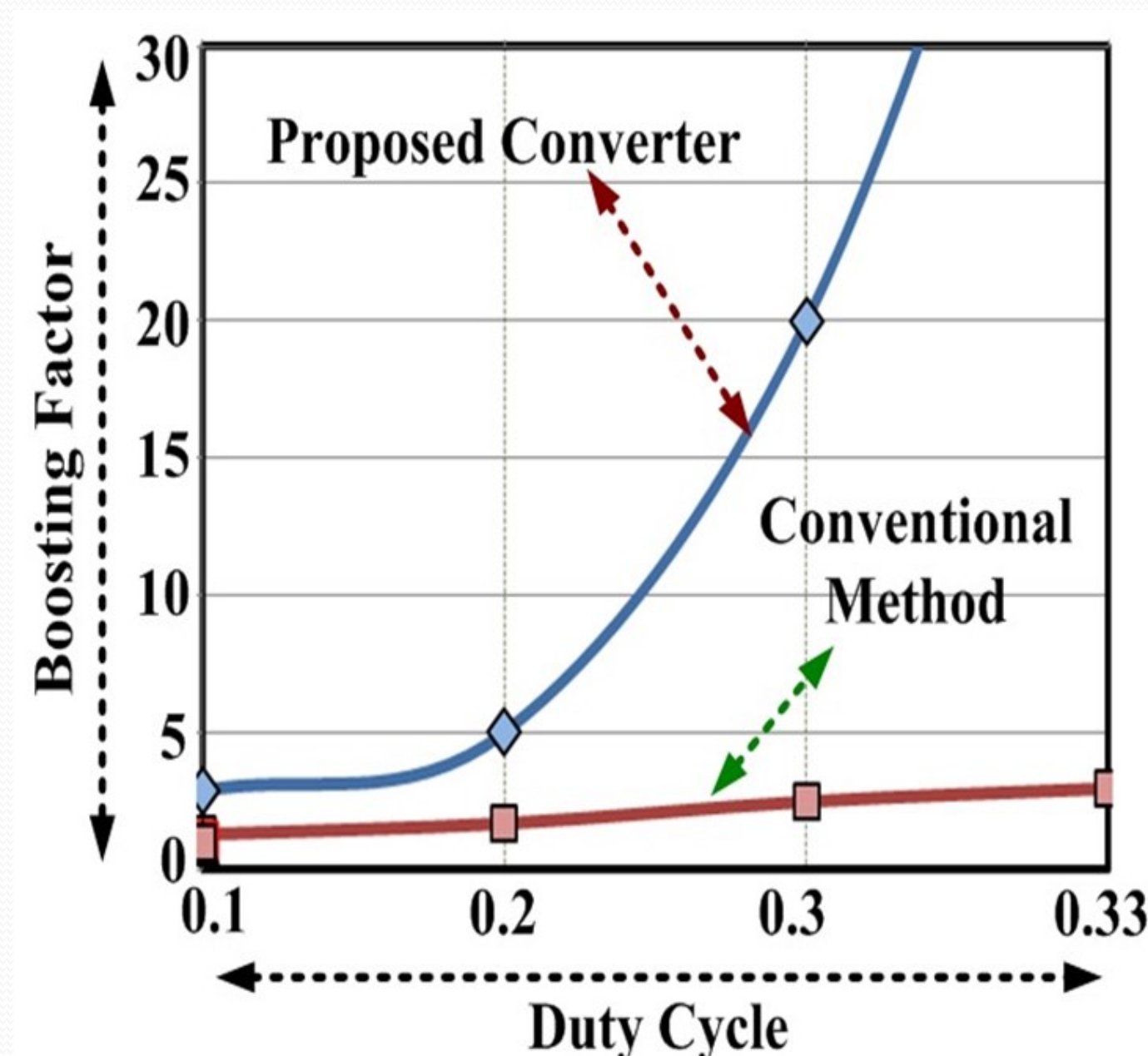
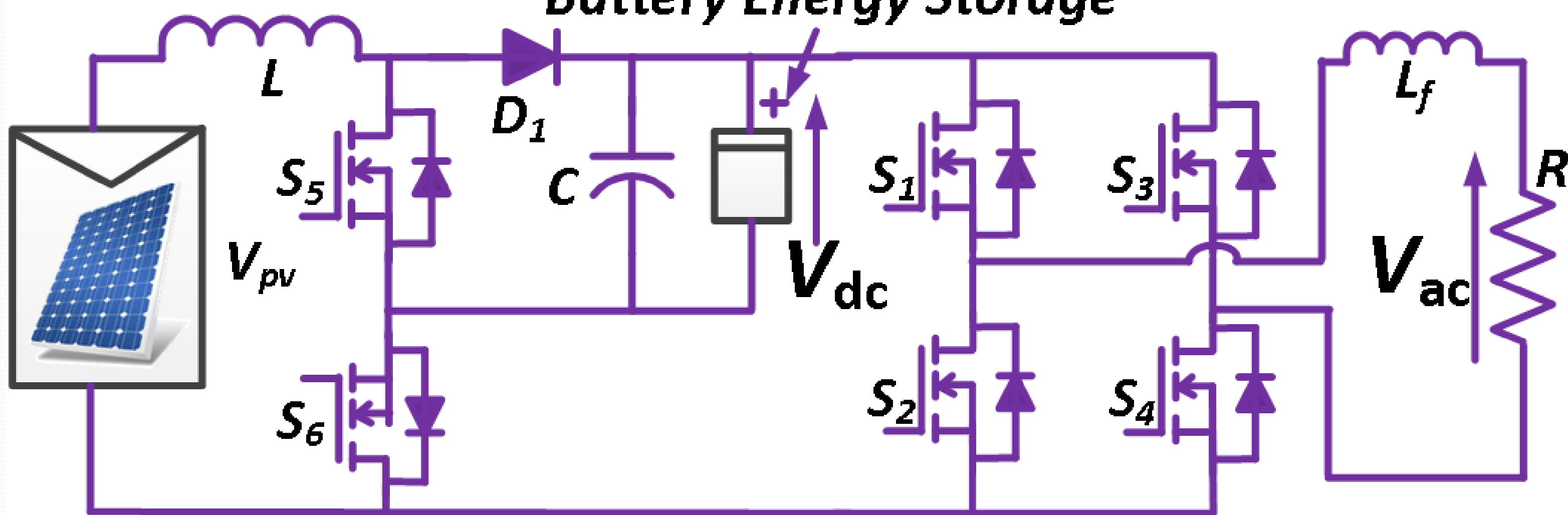
Renewable Energy Sources



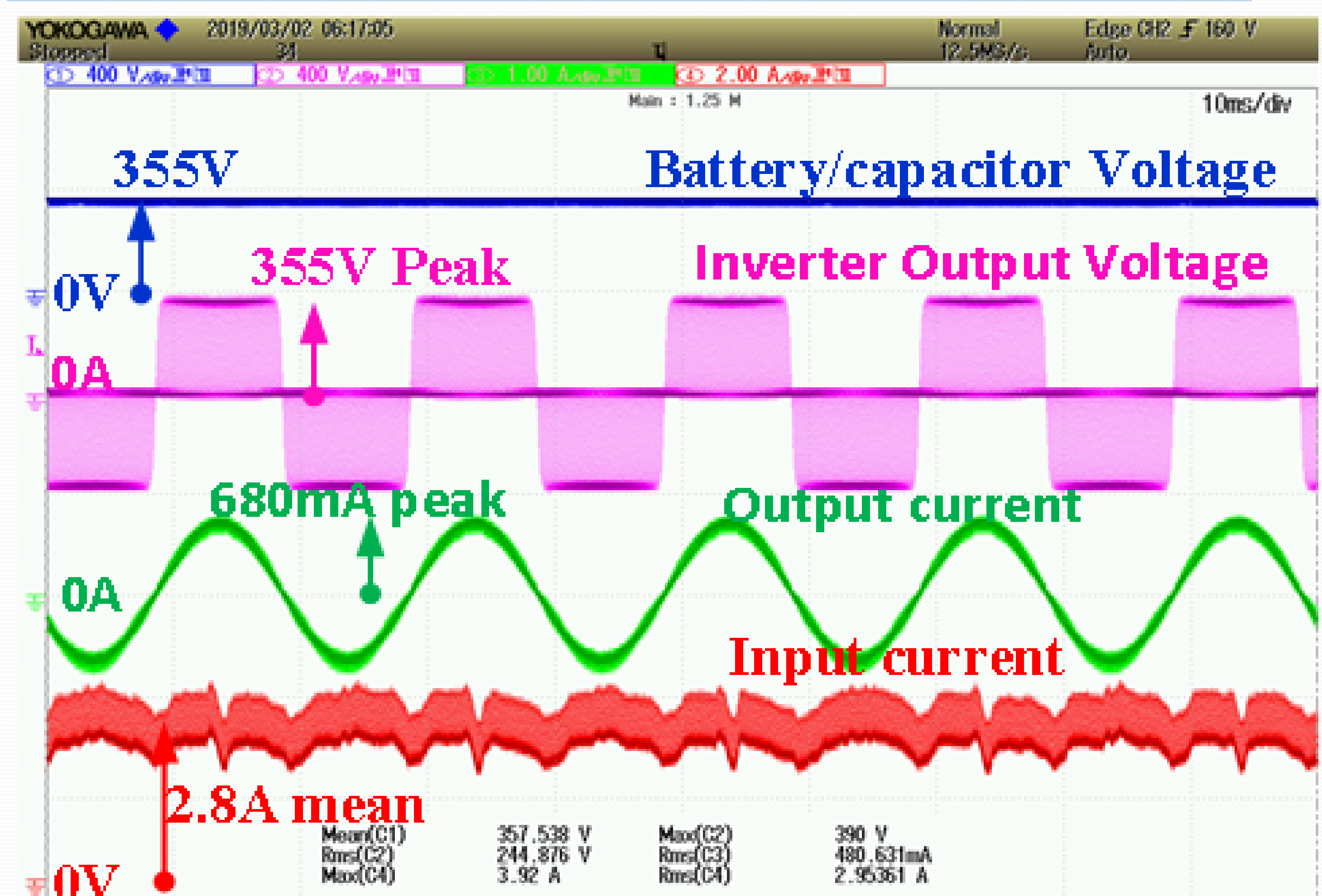
by 2030 – Qatar becomes an advanced society capable of sustaining its development and providing a high standard of living for its people. Qatar's National Vision defines the long-term goals for the country and provides a framework in which national strategies and implementation plans can be developed.

Proposed Power Electronic Converter

Battery Energy Storage



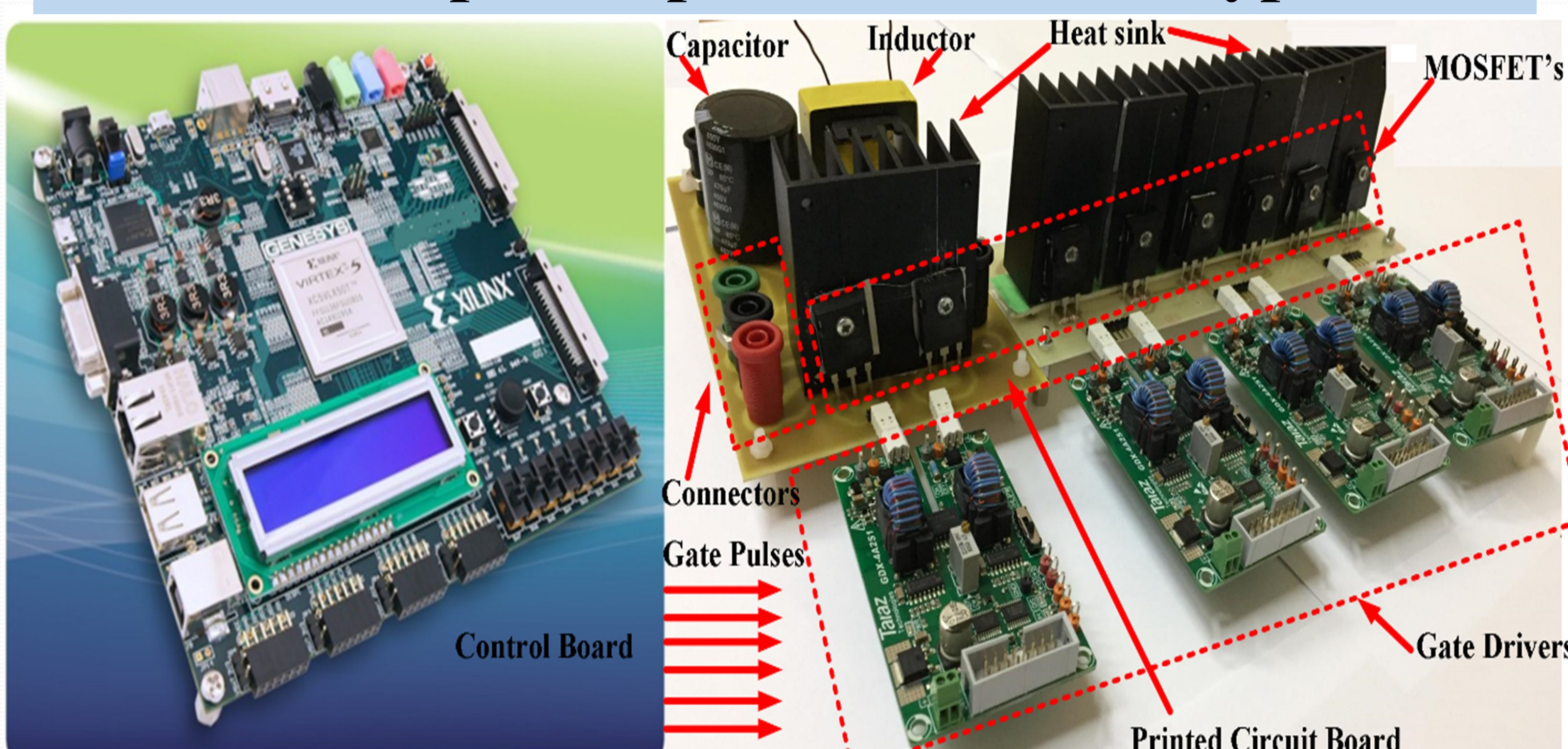
Testing and Verification



Publications

- [1] M. Meraj, S. Rahman, A. Iqbal and L. Ben-Brahim, "Common Mode Voltage Reduction in A Singlephase Quasi Z-Source Inverter for Transformerless Grid-Connected Solar PV Applications," *IEEE Journal of Emerging and Selected Topics in Power Electronics*. doi: 10.1109/JESTPE.2018.2867521.
- [2] Mohammad. Meraj, A. Iqbal, Naser Mohammad A Al emadi, S. Rahman, Sagar Mahajan, "Novel PWM Technique for Quasi Switched Boost Converter for the Nano-grid Applications" IEEE ISIE 2019, 12-14 June, Vancouver Canada.

Developed Experimental Prototype



Acknowledgement

This publication was made possible by NPRP-EP grant#[X-033-2-007] from the Qatar National Research Fund (a member of Qatar Foundation). The statements made herein are solely the responsibility of the authors.