

MK-07 Electromagnetic Brushless Generator Unit



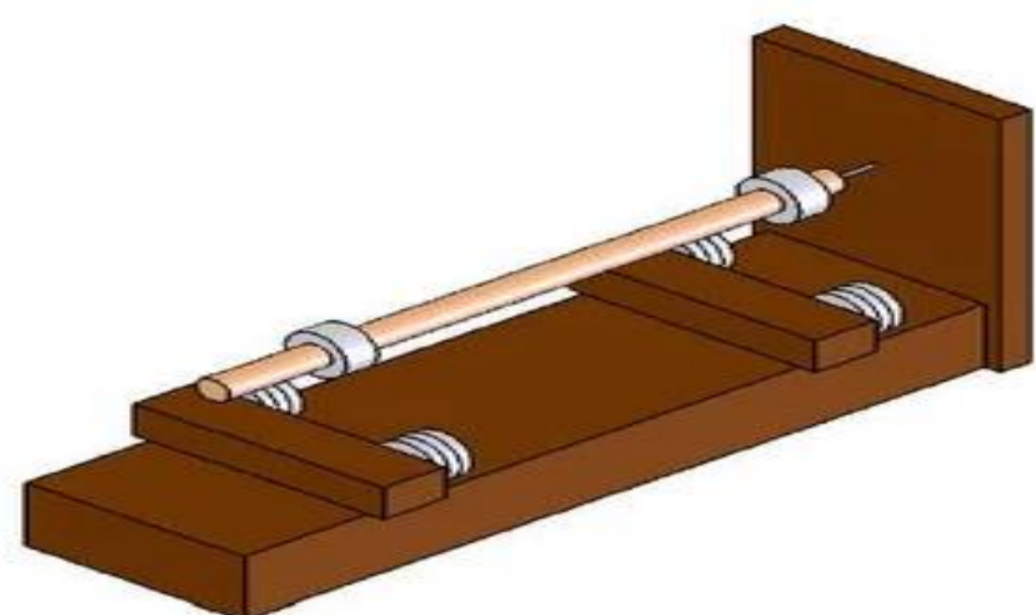
Engineer/ Mostafa M. K. Sayed

EG/P/2023/697

EG/T/2023/2

Abstract

MK-07 device Is an integrated system to generate Electrical Power with different capacities and reach high electrical power capabilities, The system operates without the use of any fuel, oil or gas. MK-07 work as a light & wind emitting unit for continuous production of energy that can be utilized for a variety of applications, we can use it as motor or system to generate electricity power. The field of the present invention relates generally to apparatuses and systems that are configured to produce power, Even more particularly, the present invention relates to such power producing apparatuses and systems that can be utilized to continuously produce Energy as a power generation machine to generate electricity which can use in many application of electricity generated, too can use part of that power to charge batteries that provides power to maintain a system -startup if both light and wind not Available.



Objective

In general, the increased push for apparatuses and systems that generate electricity without utilizing conventional, non-renewable and polluting energy sources, particularly hydrocarbon fuels, is a direct result of the known limited supply of these energy sources and the negative impact the use of such sources has had on the environment. Unfortunately, at the same time that the supplies of conventional sources of energy have become scarcer and the impacts of such sources have become better known, the demand for electricity has substantially increased.

My present invention "The MK-07 Energy unit" for continuous Energy production provides the needed benefits and solves the problems identified above.

That is to say, my invention is a Energy generation unit that is configured to produce energy on a continuous basis. "The MK-07 Energy unit" continuously and efficiently generates energy for use to accomplish a wide variety of energy applications purposes, produces electricity energy that can be utilized to many purposes.

"For Continuously and Efficiently Generates Electromagnetic, Mechanical and Electrical Energy"

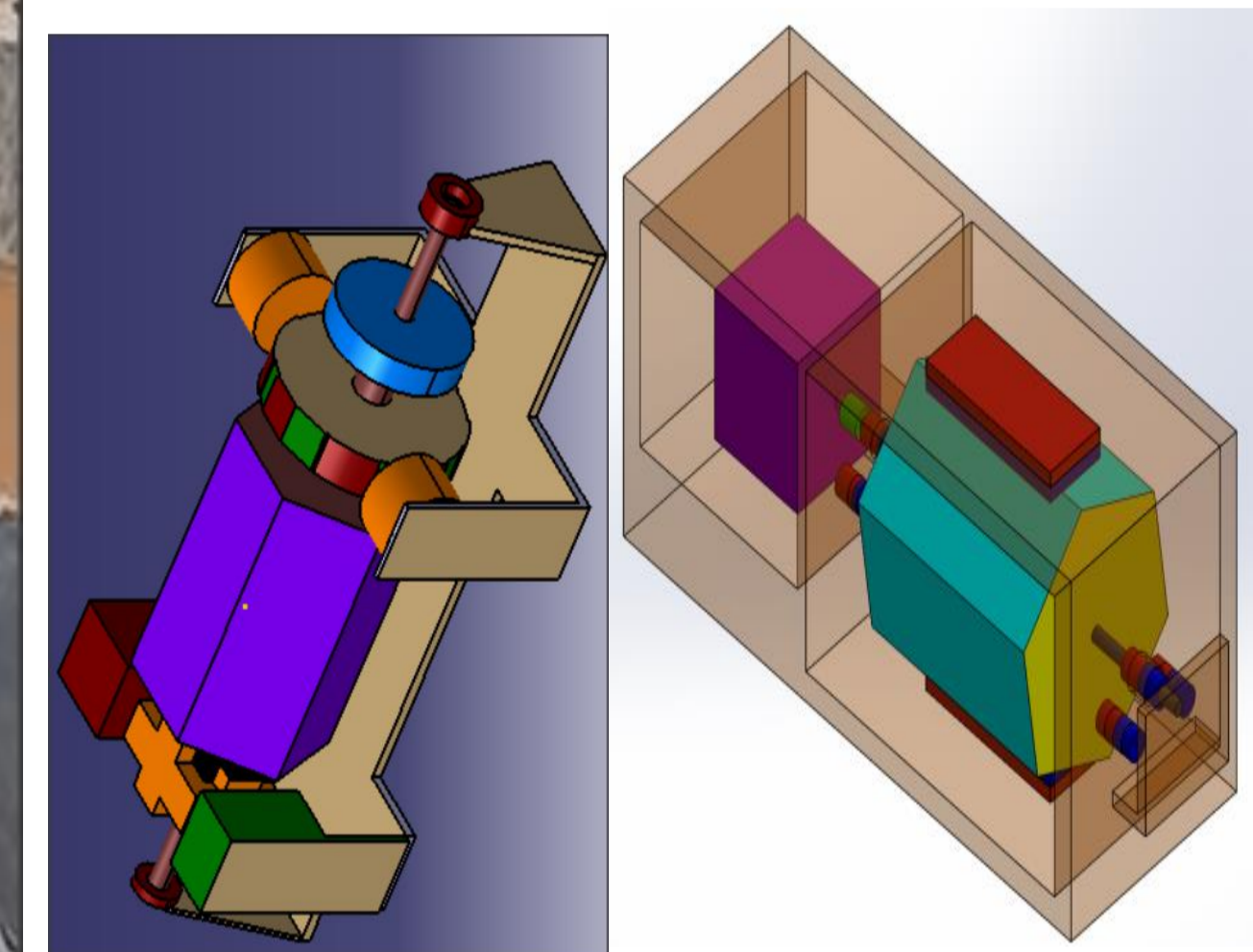


MK-07 Energy unit

Mechanism of work

The begins by obtain start power for a short period to begin the motion of the system, start motion can take its required power from any source of light, solar or wind.

After start of work, the system generates high power capacity without the need for an external source for the operation of the system, which leads to power production almost as free energy.



Conclusion

MK-07 device Is an integrated system to generate Electrical Power with different capacities and reach high electrical power capabilities, The system operates without the use of any fuel, oil or gas. MK-07 work as a light & wind emitting unit for continuous production of energy that can be utilized for a variety of applications, we can use it as motor or system to generate electricity power. The field of the present invention relates generally to apparatuses and systems that are configured to produce power.

Contact

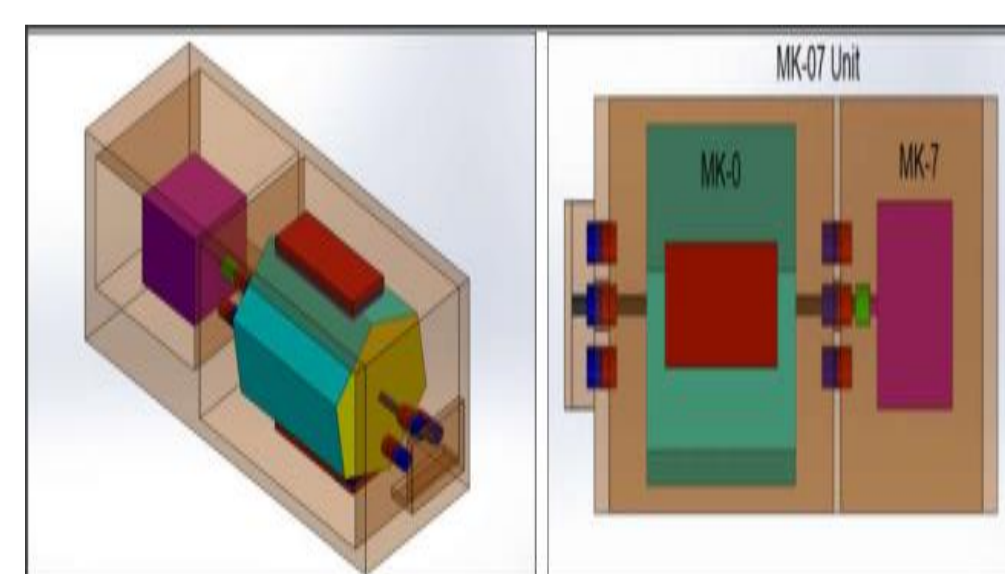
Mail: Mostafa.sayed20@houghton.edu

Facebook : Mostafa M. K. Sayed

WhatsApp: +2 01066597745



$$B = \mu_0 \cdot \frac{N \cdot I}{l_{solenoid}}$$



MK-07 Energy unit is two parts (MK-0 motor & MK-7 generator) MK-0 motor is magnetically levitated device consist of solar cells and coils mechanically connected to shaft. This rotates above magnets on a disc. The shaft is connected to MK-7 generator. Inside The MK-07 Energy unit There is an additional light emitting device that is powered by a rechargeable battery.

