

Modeling and Controller Design of Quasi-Z-Source Inverter with Battery based Photovoltaic Power System

Yushan Liu^{1,3}, Baoming Ge^{1,2}, *Member, IEEE*, Haitham Abu-Rub³, *Senior Member, IEEE*,
Atif Iqbal⁴, *Senior Member, IEEE*, FangZheng Peng², *Fellow, IEEE*

¹School of Electrical Engineering, Beijing Jiaotong University, Beijing 100044, China

²Department of Electrical and Computer Engineering, Michigan State University, East Lansing, MI 48824 USA

³Department of Electrical and Computer Engineering, Texas A&M University at Qatar, Doha 23874, Qatar

⁴Department of Electrical and Computer Engineering, Qatar University, Doha 2713, Qatar

E-mail: yushan.liu@qatar.tamu.edu, gebaoming@tsinghua.org.cn, haitham.abu-rub@qatar.tamu.edu

Abstract—A Photovoltaic (PV) power generation system based on quasi-Z-Source inverter (qZSI) with energy storage is presented. A dynamic small-signal model of qZSI with battery is established. Further, the battery power and current double-loop controllers are designed to manage the battery state of charge (SOC). Meanwhile, an improved PQ decoupling control is achieved to smooth the grid-injected power. The obtained simulation and experimental results certify the validity of the proposed control schemes, which provides an efficient method for future energy-storage PV power generation systems.

Keywords—PV system modeling; controller design; PV power system; quasi-Z-Source inverter; energy storage

I. INTRODUCTION

Photovoltaic (PV) energy generation has been one of the most active research areas in the past decades because of its universality, harmless, and rich persistence of this kind of energy. However, PV power is instable and susceptible to irradiation and temperature variations. Therefore, as the key component of connecting the PV panel and grid, the inverter should combine essential tasks of adjusting the output voltage of PV panel to capture the maximum power, injecting sinusoidal current into the grid, minimizing or eliminating the grid voltage fluctuations and flickers. Meanwhile, the energy storage technology is a new and important technology for future electricity system. PV system cooperating with energy storage devices through the grid-connected inverter is not only required to realize frequency and active power regulation, but also stabilize the power fluctuations of the grid, and improve the system

Part of this work, specifically Sections III and IV were supported by NPRP grant No. 09-233-2-096 from the Qatar National Research Fund (a member of Qatar Foundation). In addition, we also acknowledge support from the Beijing Jiaotong University Foundation under grant No. 2009JBM093 for Section II. The statements made herein are solely the responsibility of the authors.

steady and transient performance. However, traditional inverter systems with battery energy storage usually include an extra charger circuit to exchange battery energy with the DC rail because the DC voltage of battery can't be injected to AC directly. Therefore, higher initial installation cost, lower efficiency, and reliability issue still block the widespread application of battery storage technology.

Z-Source inverter (ZSI) and quasi-Z-source inverter (qZSI) have been widely implemented in wind and solar power generation systems [1-4] due to their gratifying advantages, such as buck or boost of DC bus voltage without extra DC-DC circuit. In those types of inverters the power devices of same bridge arm could be turned on at the same time without being burned. This is particularly beneficial when they integrate with storage battery so that the battery voltage and current could be automatically controlled without extra charging and discharging circuitry [5]. Among studies with qZSI and battery storage [5-8], only reference [6] presented an energy management to control the battery state of charge (SOC). Another effective topology was proposed and its controller was also designed in detail [7].

As the non-linear characteristics of the circuit components, such as battery and power switching devices of three-phase inverter, qZSI with battery is a strong nonlinear system. However, when working nearby a certain steady state, the state variables of the qZSI small-signal disturbances can show linear relationships. Therefore, it is extremely important to establish small-signal dynamic model of the qZSI, which can be approximated as a linear system near the steady-state operating point. Through this way, the feedback controller can be beneficially designed. References [9, 10] derived the small-signal model of qZSI, while to date, no paper has studied the dynamic model for qZSI with battery.

Accordingly, the main contributions of this paper are establishing the small-signal model of qZSI with battery, designing the effective controller according to the established model and applying it to a PV power generation system. The organization of the paper is as follows. Small-signal model of qZSI with battery is derived in section II. In Section III, the controllers are designed. Section IV demonstrates the simulated and experimental results. At last, conclusions and future work are presented in Section V.

II. MODELING OF Q-ZSI WITH BATTERY

The topology of the discussed qZSI with battery [5] is shown in Fig. 1. There are two working modes, as shown in Fig. 2. Fig. 2 (a) shows the shoot-through mode, in which an intentional short circuit between P and N is created and the diode is cut off by the inserted shoot-through state vector. In Fig. 2 (b), non-shoot-through mode, the inverter operates as ordinary one controlled by six active vectors and two traditional zero state vectors. The parasitic resistances r_L of inductors in quasi-Z-Source network are contained, while the series resistances of capacitors are neglected because of their small order of magnitude. For the battery model [11-13], here, a simple model with the open-circuit voltage, V_{OCV} , and an internal resistance R_b [11] is adopted for simulating the basic function of battery. The terminal voltage of the battery model is V_b , which is clamped to the voltage of capacitor 2. The dynamic small-signal model of this equivalent circuit is built in the following.

As the relationship of capacitor-2 voltage and battery current

$$v_{C2} = V_{OCV} - R_b i_b(t), \quad \dot{v}_{C2}(t) = -R_b \dot{i}_b(t), \quad (1)$$

according to the equivalent circuit, the state space equations can be derived as

$$F\dot{x} = \begin{bmatrix} -r_L & 0 & D-1 & -DR_b \\ 0 & -r_L & D & (1-D)R_b \\ 1-D & -D & 0 & 0 \\ D & D-1 & 0 & -1 \end{bmatrix} x + \begin{bmatrix} 1 & 0 & D \\ 0 & 0 & 1-D \\ 0 & D-1 & 0 \\ 0 & 1-D & 0 \end{bmatrix} u, \quad (2)$$

where $x = [i_{L1}(t) \ i_{L2}(t) \ v_{C1}(t) \ i_b(t)]^T$, $u = [v_p(t) \ i_d(t) \ V_{OCV}(t)]^T$, D represents the shoot-through time interval. Since $L_1 = L_2 = L$ and $C_1 = C_2 = C$, the coefficient matrix F can be simplified to $F = \text{diag}(L \ L \ C \ R_b C)^T$.

In steady state, the left side of (2) is zero. Then it can be derived that

$$\begin{cases} V_{C1} = \frac{1-D}{1-2D} V_p + \frac{-r_L(1-D)I_d + r_L D I_b}{1-2D} \\ V_{C2} = \frac{D}{1-2D} V_p - \frac{-r_L(1-D)I_d + r_L D I_b}{1-2D} = V_b \\ I_d = \frac{(1-2D) \cdot I_{L1} + D \cdot I_b}{1-D} \end{cases}, \quad (3)$$

where V_{C1} , V_{C2} , I_b , I_d , I_{L1} represent the steady state values. Using the small perturbation method, with $i_{L1} - i_{L2} = i_B$, after Laplace transforms, the dynamic small-signal model of qZSI with battery is derived as

$$\begin{cases} (Ls + r_L)\hat{i}_{L1}(s) = (D-1)\hat{v}_{C1}(s) - DR_b\hat{i}_b(s) + \hat{v}_p(s) + D\hat{V}_{OCV}(s) + V_{11}\hat{d}(s) \\ Cs\hat{v}_{C1}(s) = (1-2D)\hat{i}_{L1}(s) + D\hat{i}_b(s) + (1-D)\hat{i}_d(s) + I_{11}\hat{d}(s) \\ (R_b Cs + D)\hat{i}_b(s) = (2D-1)\hat{i}_{L1}(s) + (1-D)\hat{i}_d(s) - I_{11}\hat{d}(s) \end{cases}, \quad (4)$$

in which $I_{11} = I_d - 2I_{L1} + I_b$, $V_{11} = V_{C1} - R_b I_b + V_{OCV}$, respectively. And $\hat{d}(s)$ represents the small perturbation of shoot-through duty ratio.

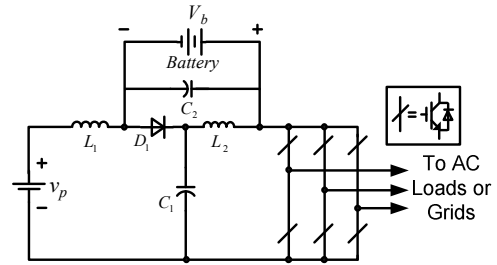


Figure 1. Quasi-Z-source inverter with battery.

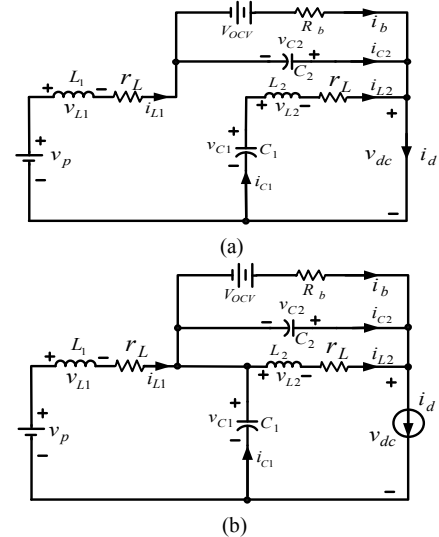


Figure 2. Equivalent circuit of qZSI with battery considering the inductor parasitic resistance. (a) Shoot-through mode. (b) Non-shoot-through mode.

III. CONTROLLER DESIGN

The configuration of the proposed PV power generation system based on quasi-Z-Source inverter with battery is shown in Fig. 3. The control system mainly contains double-loop control of battery charge and discharge, PQ decoupling control of AC side, and modified SVPWM control for qZSI. The command battery power P_b^* , given by the difference of P_{out}^* and real-time PV power, generates the command battery

current through a PI controller. Then the battery current controller, designed according to the established dynamic model, produces the shoot-through duty ratio. The active power is captured from PV panel by MPPT and capacitor-1 voltage control loop. Together with the reactive power control, the modified SVPWM control is implemented to generate gate drive signals.

frequency of the being compensated transfer function, $G_{ibd}(s)$. As it is known, if the crossover frequency towards to low frequency, the system stability will decline; but the fast follower characteristics will decline; if the crossover frequency shifts to the corner frequency, the fast follower characteristics can be improved, but the system stability margin will decline. Therefore, the crossover frequency of

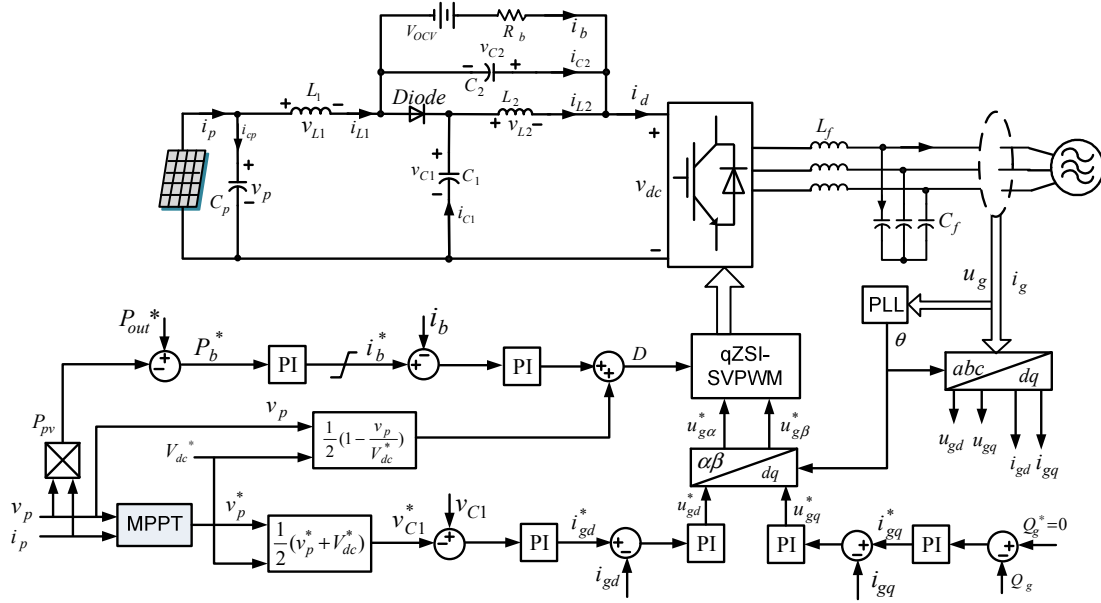


Figure 3. The proposed PV power generation system.

A. Double-loop Control of Battery Charge and Discharge

1) Inner-battery current control

From (4), the signal flow chart is obtained, as shown in Fig. 3. Thus, by Mason's gain rule, the open-loop transfer function from battery current to shoot-through duty ratio can be solved as

$$G_{ibd}(s) = \frac{\hat{i}_b(s)}{\hat{d}(s)} = \frac{-sLI_{11} + (2D-1)V_{11} - r_L I_{11}}{R_b LCs^2 + (LD + CR_b r_L)s + [Dr_L + R_b(1-2D)^2]} \quad (5)$$

From (5), it can be obtained that $G_{ibd}(s)$ has a RHP (right half plane) zero. To weaken its influence, a PI controller is employed. After compensation, the open-loop transfer function becomes

$$G_{oibd}(s) = \frac{sk_{p_id} + k_{i_id}}{s} \cdot \frac{-sLI_{11} + (2D-1)V_{11} - r_L I_{11}}{R_b LCs^2 + (LD + CR_b r_L)s + [Dr_L + R_b(1-2D)^2]} \quad (6)$$

from which it can be seen the order of the system is enhanced by adding an open-loop pole at the origin, improving the steady-state performance; and a negative open-loop real zero is increased to reduce the damping of the system and ease the adverse effects on the system stability and dynamic performance, which is generated by the pole of PI controller. The zero of the PI controller is set to the corner

$G_{oibd}(s)$ is set to one-tenth corner frequency of $G_{ibd}(s)$. Then the controller parameters can be solved as $k_{p_id} = -2.1077e-5$, $k_{i_id} = -0.2649$. With the system specifications listed in Table I, the Bode plots of the open-loop transfer function for battery current controller can be obtained, as shown in Fig. 5. It can be seen that after compensation, the amplitude-frequency characteristic curve decreases at -20 dB/dec in low frequency; and carry on falling at -40 dB/dec after the corner frequency of $G_{ibd}(s)$, consequently ensuring the damping of the function in high frequency. To get fast response, the feed forward d^* is employed, which can be determined by the inherent relationship of qZSI between v_p and V_{dc} , that is $d^* = \frac{1}{2}(1 - \frac{v_p}{V_{dc}})$.

TABLE I. SPECIFICATIONS OF THE Q-ZSI WITH BATTERY SYSTEM.

Parameters	Values
L , Inductance of Q-ZSI	500 μ H
r_L , Parasitic resistance of inductor	0.15 Ω
C , Capacitance of Q-ZSI	470 μ F
V_{ocv} , Voltage of Battery	12 V
R_b , Internal Resistance of Battery	0.45 Ω
I_b , Average DC-link Current	11 A
v_p , DC voltage of PV Panel	255 V

of the PV panel output power is delivered to the grid, the battery is non-charging and non-discharging, that is $P_B=0$, $i_b=0$; when the PV power decreases, the battery is discharging to keep the grid power constant, that is $P_b>0$, $i_b>0$. Consequently, the simulated results demonstrate the validity of the proposed control schemes.

A prototype is being built to verify the proposed PV power generation system. And some initial results without battery have been obtained, shown in Fig. 8. In the final paper, more satisfactory results with battery will be updated.

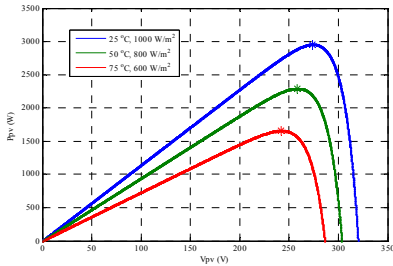


Figure 6. PV power characteristic.

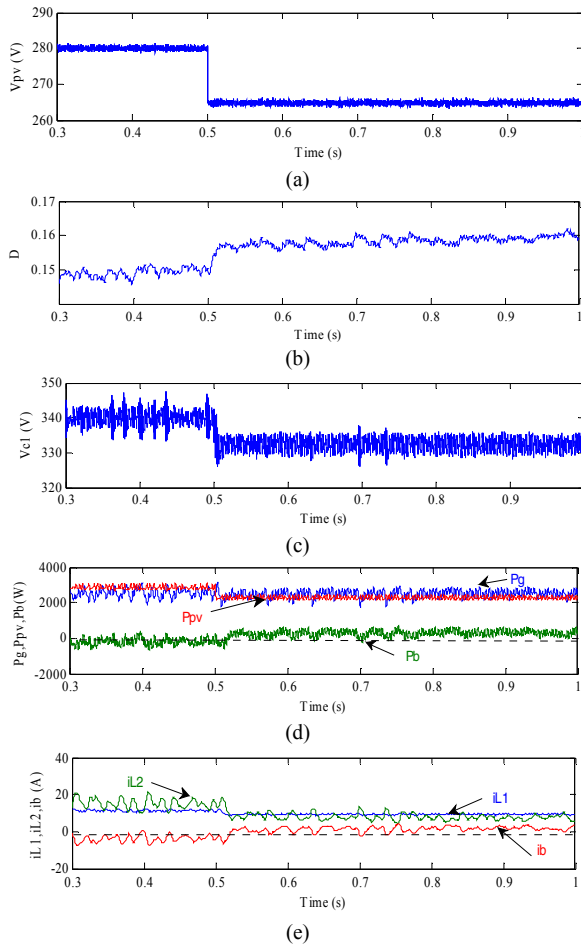


Figure 7. Simulated results. (a) PV panel output voltage. (b) Shoot-through duty ratio. (c) Capacitor-1 voltage. (d) PV panel, grid, and battery power. (e) Inductor-1, inductor-2, and battery current.

B. Experimental Verification

A 3-kW hardware prototype is built for implementing the proposed PV power generation system, shown in Fig. 8. The PM50CLA120 IPM (Intelligent Power Module) is adopted as power switches; the control core is based on TMS320F28335 DSP; and the energy storage battery is a 12-V Lead-Acid battery, BP7-12. A DC power supply with a $2 \Omega / 200W$ high-power golden-aluminum shell resistor, shown in Fig. 8, has been used to simulate a solar panel, whose power is 40 W, voltage is 17.3 V, and current is 2.31 A at MPP under STC (Standard Test Conditions, 1000 W/m^2 , $25 \text{ }^\circ\text{C}$). The other circuit parameters are the same as that of Table I.

The working condition of high PV panel output power that is battery charging was performed, as the results shown in Fig. 9. From the former statements, it should satisfy $i_b<0$ and $i_{L1}<i_{L2}$. Seen from Fig. 9 (a), it can be obtained that the results are in accordance with the theoretical analysis. From Fig. 9 (b), it can be seen that the system always meets the basic relationships of qZSI, such as $V_{C1} + V_{C2} = V_{dc}$. Furthermore, the grid-connected current is verified to be exactly in phase with grid voltage, shown in Fig. 9 (c), realizing connecting to the grid with unity power factor.

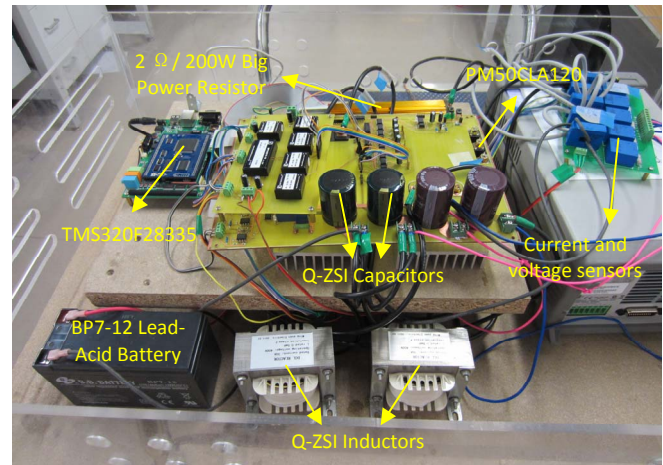
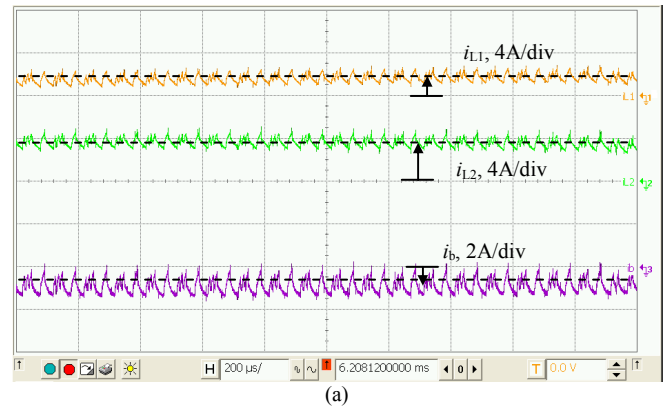


Figure 8. Prototype of qZSI with with battery.



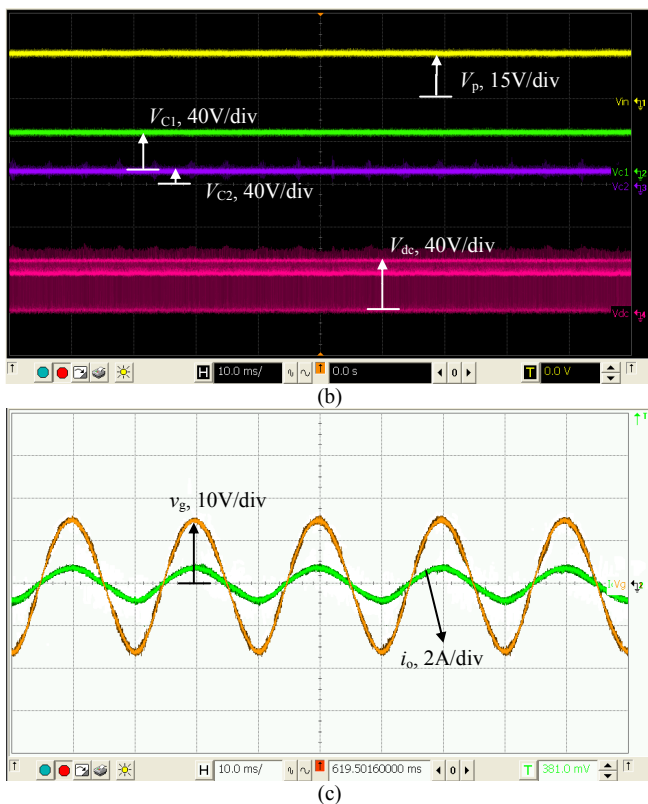


Figure 9. Experimental results. (a) inductor-1, inductor-2 and battery current; (b) PV, capacitor-1, capacitor-2 and dc-link voltage; (c) one phase grid voltage and grid-connected current.

V. CONCLUSIONS

A PV power generation system based on qZSI with energy storage battery was presented in this paper. A dynamic small-signal model of qZSI with battery was established. According to the derived model, the battery power and current based controller was designed to realize the battery charging and discharging. The AC-side output power control was proposed to capture the maximum power from PV panel and smooth the grid-connected power by improving the usual PQ decoupling control method. The correctness and effectiveness of the proposed controllers were verified by both the simulation and experimental results.

REFERENCES

- [1] Y. Li, *et al.*, "Quasi-z-source inverter for photovoltaic power generation systems," in *24th Annual IEEE Applied Power Electronics Conference and Exposition, APEC 2009, February 15, 2009 - February 19, 2009*, Washington, DC, United states, 2009, pp. 918-924.
- [2] P. Jong-Hyoung, *et al.*, "Grid-connected PV System Using a Quasi-Z-source Inverter," in *Applied Power Electronics Conference and Exposition, 2009. APEC 2009. Twenty-Fourth Annual IEEE*, 2009, pp. 925-929.
- [3] D. M. Vilathgamuwa, *et al.*, "Z-source Converter Based Grid-interface For Variable-speed Permanent Magnet Wind Turbine Generators," *2008 IEEE Power Electronics Specialists Conference, Vols 1-10*, pp. 4545-4550, 4824, 2008.

- [4] S. M. Dehghan, *et al.*, "A New Variable-Speed Wind Energy Conversion System Using Permanent-Magnet Synchronous Generator and Z-Source Inverter," *IEEE Transactions on Energy Conversion*, vol. 24, pp. 714-724, Sep 2009.
- [5] J.G. Cintron-Rivera, Yuan Li, Shuai Jiang, F.Z. Peng, "Quasi-Z-Source inverter with energy storage for Photovoltaic power generation systems," *Applied Power Electronics Conference and Exposition (APEC), 2011 Twenty-Sixth Annual IEEE*, vol., no., pp.401-406, 6-11 March 2011.
- [6] Dongsun Sun; Baoming Ge; Abu Rub, H.; Peng, F.Z.; de Almeida, A.T.; , "Power flow control for quasi-Z source inverter with battery based PV power generation system," *Energy Conversion Congress and Exposition (ECCE), 2011 IEEE*, vol., no., pp.1051-1056, 17-22 Sept. 2011.
- [7] Baoming Ge, Qin Lei, Fang Zheng Peng, Dongsun Song, Yushan Liu, Haitham A.R., "An effective PV power generation control system using quasi-Z source inverter with battery," *Energy Conversion Congress and Exposition (ECCE), 2011 IEEE*, vol., no., pp.1044-1050, 17-22 Sept. 2011.
- [8] Fenglin Li, Baoming Ge, Dongsun Sun, Daqiang Bi, Fang Zheng Peng, Haitham A.R., "Quasi-Z source inverter with battery based PV power generation system," *Electrical Machines and Systems (ICEMS), 2011 International Conference on*, vol., no., pp.1-5, 20-23 Aug. 2011.
- [9] Poh Chiang Loh, Vilathgamuwa, D. Mahinda, *et al.*, "Transient modeling and analysis of pulse-width modulated Z-source inverter," *IEEE Transactions on Power Electronics*, v 22, n 2, pp. 498-507, March 2007.
- [10] M. Shen, *et al.*, "Modeling and controller design of the Z-source inverter with inductive load," *2007 IEEE Power Electronics Specialists Conference*, Vols. 1-6, pp. 1804-1809, 2007.
- [11] M. Ceraolo, "New dynamical models of lead-acid batteries," *Power Systems, IEEE Transactions on*, vol.15, no.4, pp.1184-1190, Nov 2000.
- [12] O. Tremblay, L.-A. Dessaint, A.-I. Dekkiche, "A Generic Battery Model for the Dynamic Simulation of Hybrid Electric Vehicles," *Vehicle Power and Propulsion Conference, 2007. VPPC 2007. IEEE*, vol., no., pp.284-289, 9-12 Sept. 2007.
- [13] Shuhui Li; Bao Ke; , "Study of battery modeling using mathematical and circuit oriented approaches," *Power and Energy Society General Meeting, 2011 IEEE*, vol., no., pp.1-8, 24-29 July 2011.
- [14] C Hua, J L in, "A modified tracking algorithm for maximum power tracking of solar array," *Energy Conversion and Management*, vol. 6, no. 45, pp.911-925, 2004.
- [15] Jong-Hyoung Park, Heung-Geun Kim, Eui-Cheol Nho, Tae-Won Chun, "Capacitor voltage control for MPPT range expansion and efficiency improvement of grid-connected Quasi Z-Source Inverter," *Power Electronics Conference (IPEC), 2010 International*, vol., no., pp.927-931, 21-24 June 2010.
- [16] Yushan Liu, Baoming Ge, Fernando J. T. E. Ferreira, Anibal T. de Almeida, Haitham Abu-Rub, "Modeling and SVPWM control of quasi-Z-source inverter," *Electrical Power Quality and Utilisation (EPQU), 2011 11th International Conference on*, vol., no., pp.1-7, 17-19 Oct. 2011.
- [17] M. Von Zimmermann, *et al.*, "Z-source drive inverter using modified SVPWM for low output voltage and regenerating operation," in *2009 13th European Conference on Power Electronics and Applications, EPE '09, September 8, 2009 - September 10, 2009*, Barcelona, Spain, 2009.
- [18] Li Tingyuan, Zheng Jianyong, You Jun, *et al.*, "Study on a Modified Space Vector PWM Technique based on Z-Source Inverter," *Telecom Power Technology*, v 26, n5, pp. 1-5, 2009.