

Received January 12, 2022, accepted February 2, 2022, date of publication February 15, 2022, date of current version March 1, 2022.

Digital Object Identifier 10.1109/ACCESS.2022.3151697

Comprehensive Review of KY Converter Topologies, Modulation and Control Approaches With Their Applications

**K. RAMASH KUMAR¹, K. RAMEEZ RAJA²,
SANJEEVIKUMAR PADMANABAN^{ID3}, (Senior Member, IEEE),
S. M. MUYEEN^{ID4}, (Senior Member, IEEE),
AND BASEEM KHAN^{ID5}, (Senior Member, IEEE)**

¹Department of Electrical and Electronics Engineering, Dr. N. G. P. Institute of Technology, Coimbatore, Tamilnadu 641048, India

²Research Scholar, Department of Electrical and Electronics Engineering, Aalim Muhammed Salegh College of Engineering, Muthapudupet, Chennai, Tamilnadu 600055, India

³CTiF Global Capsule, Department of Business Development and Technology, Aarhus University, Herning 7400, Denmark

⁴Department of Electrical Engineering, Qatar University, Doha, Qatar

⁵Department of Electrical and Computer Engineering, Hawassa University, Hawassa 05, Ethiopia

Corresponding authors: K. Ramash Kumar (ramash1210@yahoo.co.in) and S. M. Muyeen (sm.muyeen@qu.edu.qa)

This work was supported by the Qatar National Library.

ABSTRACT In current scenario, the challenging task in designing a DC-DC converter has high voltage gain and small output ripple waves, which researchers deal with highly complicated. Because of its topological and Continuous Conduction Mode (CCM), the KY converters have developed a better converter than all the traditional DC-DC converters to overcome this intricacy of voltage transfer gain and output ripple waves. The KY converters had comparative and various qualities when compared with the boost converter with Synchronous Rectifier (SR). The KY converter is used in photovoltaic and sustainable power applications, which are examined in this study. KY converter incorporates mode-1 and mode-2 operation and its types, for example, one plus D and one plus 2D where the KY can deliver the Nth type of KY converters. This article provides a comprehensive review and investigation of the KY converters, which incorporates their topology with control methodologies, Pulse Width Modulation (PWM) techniques, working activity of KY converters, and types for mode-1 and -2; it interprets the few strategies the KY converter is executed and its applications.

INDEX TERMS KY converters, boost converter, Cuk converter, DC to DC converter, control methodology, digital implementation.

I. INTRODUCTION

DC-DC power converters are not only becoming more popular, but they are also being respected in the current market. It's better for invariable power sources in LCDs, Ipads, MP3 players, battery-powered industrial equipment, automobile stereos, communications equipment, fuel cells, electric vehicles, and solar cell modules tec., Good output voltage regulation, circuit layout with fewer components, good voltage transfer gain, and reduced output ripple voltage/current are all required for these applications. Based

The associate editor coordinating the review of this manuscript and approving it for publication was Alon Kuperman.

on their structure, concept, performance, and application, many topology DC-DC converters have been constructed and classified into six generations. In Continuous Conduction Mode (CCM), typical non-isolated DC-DC converters/Luo converters with/without linked inductance have resulted in pulsating output current, higher output voltage ripples, a greater number of components, diodes, and a right half pole zero (RHPZ) structure [1]–[3]. Many KY topologies have been created to address these cries. KY family converters are recently derived DC-DC converters. Fuzzy Logic Controller (FLC) plus Sliding Mode Controller (SMC) for KY boost converter has been reported [4]. From this article, it is found that authors were designed FLC plus SMC

for the same converter to regulate the output voltage and inductor current of it. The multi structure controller for KY negative output boost converter is well presented [5]. From this article, it is found that output voltage/inductor current control for same converter with designed controller during the line and load variations.

Concerning [6]–[12], the potential lift methodology is applied to help the output potential close by considering tiny output potential swells. Anyhow, each of the articles has one right-half plane zero in the non-stop [13]–[16], bi-linear characteristics, making the extraordinary show of the transient load response difficult to achieve, as opposed to the step-down converter. Therefore, these issues are solved and it is addressed in [17]–[20].

Therefore, these issues are solved and it is addressed in [17]–[20]. Concerning [17], it adds a vigorous control strategy to Sliding Mode Control (SMC). For, it uses a powerful procedure. As to [19], it takes a circle transmission capacity control strategy. In [20], it accepts a state procedure expectation control technique. However, from the outcome in [17] to [20], enhancement in load transient responses is restricted fairly through control strategies.

By considering the referred information, a potential-boost converter is suggested. Hence, the named KY converter reliably works in CCM. Likewise, the output charge is non-pulsating, in this way, causing the low output voltage to swell. Above all, it resembles that of the step-down converter with a Synchronous Rectifier (SR), and subsequently, this converter has a superior load transient response.

The extent of the output voltage to the input potential is at least one or more D , where D is the duty cycle of the Pulse Width Modulation (PWM) control signal for the basic switch. Subsequently, to enhance the output potential under a comparable duty cycle, 2nd demand surmised KY converters, at least 1 or more $2D$, and at 2 or more D converters are presented in this under a comparative development. The output voltage of the KY converters is controlled by using Time Ratio Control (TRC) and Current Limit Control (CLC). In TRC divided into constant PWM method and Frequency Modulation (FM) method [2]. TRC method is more suitable for linear and inductive load application whereas CLC is only suitable for inductive load. However, the fixed PWM method is more preferred method for KY converters over the FM method due to its fixed filter is easy, lighter in possibility of EMI with signaling, good dynamic response and more off-time at small load voltage can the current of the DC motor load discontinuous. FM method is excellent transient/dynamic performances for DC-DC converters.

This paper presents an ordered comprehensive review representation of the KY converters. In section 1 detailed the KY converters. The step-step operating modes of KY converters are expresses in section 2. Section 3 explains why KY should not lift the integration of Cuk-KY and SPEIC-KY. Section 4 deals with various types of KY converters with voltage boosting methods. Sections 5 and 6 incorporate the difference between what KY has executed and the utilization

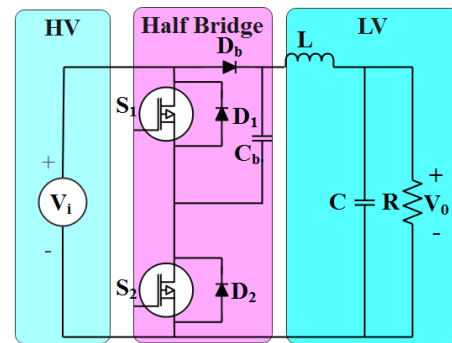


FIGURE 1. KY converter.

of KY converters with their controls. Section 7 lists the conclusion and future work of KY converters.

II. KY CONVERTERS

A KY converter is a potential boost converter that works in CCM. Because of its low output voltage ripple, it causes a non-throbbing output. The attributes of the KY converter are equivalent to the buck with SR. It has a rapid transient load response. When an output voltage separates, input gives a summation of one and duty cycle for PWM. To wider the output voltage, the KY converter gets separated into two modes, for example, one plus $2D$ and 2 plus D , where the module is comparable yet has varieties in PWM adjustment.

A. KY CONVERTER FRAMEWORK

The KY converter includes two MOSFET switches, S_1 and S_2 , close to body diodes D_1 and D_2 , independently. One output inductor L , one output capacitor C , one diode D_b , and one energy transferring capacitor C_b are massive enough to keep the voltage across itself predictable at some value. Obviously, Fig. 1 shows the development of the second order KY converters, 1 plus $2D$ and 2 plus D converters. Four MOSFET switches S_{11} , S_{12} , S_{21} , and S_{22} close by four body diodes D_{11} , D_{12} , D_{21} , and

D_{22} , one output inductor L , one output capacitor C , two diodes D_{b1} and D_{b2} . Moreover, two energy-transferring capacitors, C_{b1} and C_{b2} , are tremendous to maintain their potential steady at specific characteristics. This design is acquired from the KY converter that showed up in Fig. 1. The 1 plus $2D$ and 2 plus D converters are obtained by applying two distinct PWM control strategies to the suggested 2nd order KY converter configuration shown in Fig. 2.

S_1 and S_2 alongside by two D_1 and D_2 body diodes, only one D_b diode, and one C_b energy-charging capacitance is one cell. Fittingly, there are two cells in Fig. 2. On a fundamental level, $N-1$ cell-related to the KY converter can make two types of N^{th} -demand derived KY converter. Two N^{th} gathered KY converters could be used to broaden the output potential remarkably; before long, the more the cells are, the more the potential drops across the diodes. Like this, the provable duty cycle is expected to wander incredibly from the ideal duty cycle. Accordingly, the KY converter and the

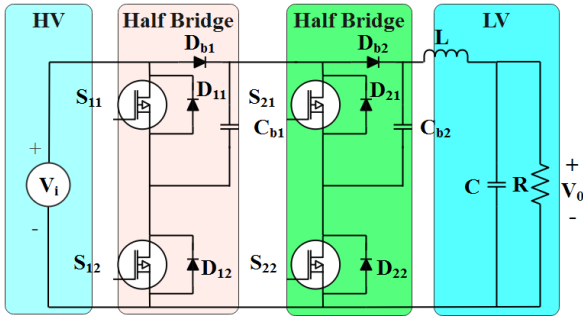


FIGURE 2. Second order KY converter.

2nd order KY converters, 1 plus 2D, and 2 plus D converters, are presented subsequently and portrayed exhaustively as follows. Additionally, the output voltage for each converter is tended to by one output R-Resistor.

B. WORKING PRINCIPLE

As discussed before, the KY converter and the 2nd order KY converters reliably work in CCM. As exhibited in Fig. 1, there is only a single cell in the design of the KY converter that contains two MOSFET switches, S₁ and S₂, alongside D₁ and D₂, body diodes independently, one D_b diode, and one C_b energy transferring capacitor. So, the contrasting working rule chosen is that the switch on sort of these two switches is (D, 1 – D), where D and 1 – D are for S₁ and S₂, independently. D is the duty cycle of the PWM control signal for S₁. Obviously, as exhibited in Fig.2, there are two cells in the development of the 2nd order KY converters. The fundamental cell contains two MOSFET switches, S₁₁ and S₁₂, alongside D₁₁ and D₁₂ body diodes, independently. One D_{b1} diode and one C_{b1}. However, the subsequent cell contains two MOSFET switches, S₂₁ and S₂₂, close to D₂₁ and D₂₂ body diodes, respectively, and one D_{b2} diode and one C_{b2} energy-transferring capacitor. Also, there are two operational standard principles for the 2nd order KY converters, to be referred quickly.

Step1:

Turn on Process for First:

- Two switches are D and 1-D
- Here, D for S₁₁ and 1-D for S₁₂
- Where D is the duty cycle of PWM for S₁₁

Turn on Process for a second:

- Two switches are D and 1-D
- Here, D for S₂₁ and 1-D for S₂₂

Depending on Step1, the 1 + 2D KY converters is designed.

Step 2:

Turn on Process for First:

- Two switches are 1-D and D
- Here, 1-D for S₁₁ and D for S₁₂
- Where D is the duty cycle of PWM for S₁₂

Turn on Process for 2nd:

- Two switches are D and 1-D
- Here, D for S₂₁ and 1-D for S₂₂

Depending on Step1, the 2 plus D KY converter is designed.

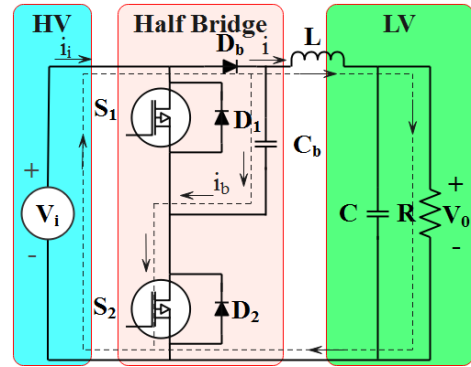


FIGURE 3. Mode 1 of KY converter.

The Nth order KY converter is generated using the step 1 and step 2 of working principle.

C. MODES OF OPERATION

Earlier to taking up this part, for the comfort of assessment, the input potential is v_i; the input current is i_i, the output potential is a v_o, the current traveling through L, C_b, C_{b1}, and C_{b2} are I, i_b, i_{b1}, and i_{b2}, independently. The potential across switches and diodes during the switch-on period and duration of blanking between two semiconductor switches are zero. Additionally, the energy-charging capacitors C_b, C_{b1}, and C_{b2}, working given the charge siphon rule, are charged to specific voltages in a short time, which is not exactly the switching time-period T_s, and the assessments of C_b, C_{b1}, and C_{b2}. It is logically acknowledged that the potential across the capacitor C_b is identical to v_i for the KY converter. The voltage across the capacitor C_{b1} is comparable to v_i for the one plus 2D converters and the 2 plus D converters. The voltage across the capacitor C_{b2} is comparable to v_i for the 1 plus 2D converters and v_i for the 2 plus D converters. Since these three converters reliably work in CCM, here are two working modes in independent converters. This way, all converters will go with assessments, holding the details of the power stream behavior in each mode, the depiction of the contrasting differential conditions, and ensuring the association between input potential V_i and DC output potential V_o and the relating minimal sign conditions and model.

Mode 1: In Fig.3, when S₁ is closed and S₂ is off, the potential across L is the input potential, v_i notwithstanding the potential v_i across C_b short the output potential v_o along these lines makes L to be polarized. Moreover, the current traveling during C is comparable to the current i travel during L short the charge traveling during R. Additionally, in this mode, C_b is delivered. Also, subsequently, the relating differential conditions are

$$\begin{aligned}
 L \frac{\partial i}{\partial t} &= 2v_i - v_o \\
 C \frac{\partial v_o}{\partial t} &= i - \frac{v_o}{R} \\
 i_1 &= i
 \end{aligned}
 \tag{1}$$

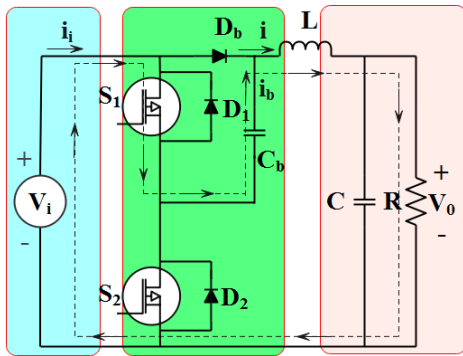


FIGURE 4. Mode 2 of KY converter.

Mode 2: In Fig. 4, when S₁ is a turn-on, and S₂ is a switch-off, the potential across L is the input potential v_i short the output potential v_o, making L non-magnetized. The charge traveling through C is comparable to the charge i fall through L, short the charge traveling during R. In addition, C_b is out of the down charged to v_i inside a brief time frame in this mode, which is not as much as T_s. Additionally, the comparing differential conditions are

$$\begin{aligned} L \frac{\partial i}{\partial t} &= v_i - v_o \\ C \frac{\partial v_o}{\partial t} &= i - \frac{v_o}{R} \\ i_1 &= i + i_b \end{aligned} \quad (2)$$

Going before getting the shown up at the midpoint of conditions as of (1) and (2), here is a picture (x) that is used to address the ordinary worth of a variable x, where x shows potential or charge, as follows:

$$\langle x \rangle = \frac{1}{T_s} \int_0^{T_s} x D \tau \quad (3)$$

As demonstrated by (1)–(3), the tracked down centre worth of conditions can be obtained to be, where d is a variable representing the duty cycle of the PWM control signal. Considering the current–2nd equilibrium, (i_b) can be communicated as a function of (i) to be

$$\begin{aligned} L \frac{\partial \langle i \rangle}{\partial t} &= (1 + d) \langle v_i \rangle - \langle v_o \rangle \\ C \frac{\partial \langle v_o \rangle}{\partial t} &= \langle i \rangle - \frac{\langle v_o \rangle}{R} \\ \langle i_b \rangle &= \langle i \rangle + (1 - d) \langle i_b \rangle \end{aligned} \quad (4)$$

Moreover, therefore, by subbing (5) into (4), (4) can be changed as

$$\langle i_b \rangle = \frac{d}{1 - d} \langle i \rangle \quad (5)$$

In addition, the resulting minimal sign representation of the KY converter is shown in Fig. 3 (11), where T is the ideal transformer with a turn ratio of 1:1 in addition to D.

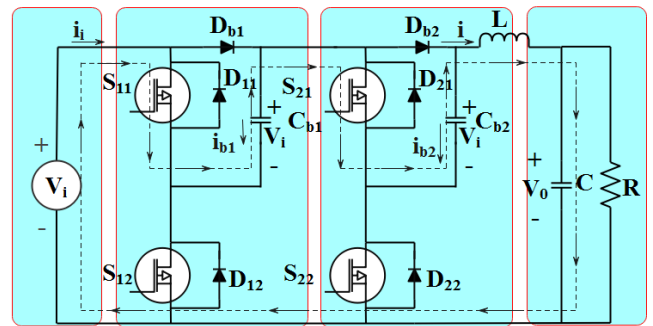


FIGURE 5. Mode 1 of 1 plus 2-D converter.

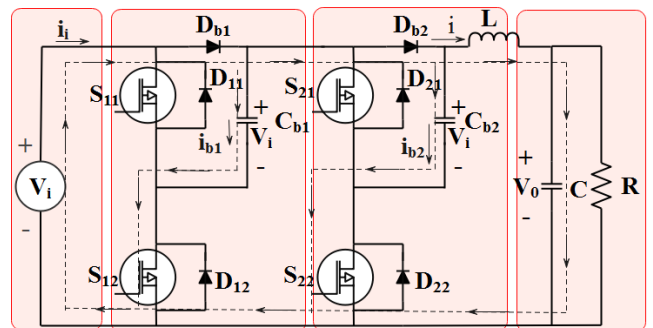


FIGURE 6. Mode 2 of 1 plus 2-D converter.

1 Plus 2-D Converter:

Mode 1: In Fig.5, when S₁₁ and S₂₁ are closed, and S₁₂ and S₂₂ are off, the potential across L is comparable to the input potential v_i notwithstanding the potential v_i across C_{b1} notwithstanding the potential v_i across C_{b2} short the output voltage V_o, accordingly, making L be polarized. Furthermore, the charge traveling during C is identical to the current i travel through L, less the charge spilling during R. Additionally, C_{b1} and C_{b2} are delivered in this mode. Moreover, subsequently, the contrasting differential conditions are

$$\begin{aligned} L \frac{\partial i}{\partial t} &= 3v_i - v_o \\ C \frac{\partial v_o}{\partial t} &= i - \frac{v_o}{R} \\ i_1 &= i \end{aligned} \quad (6)$$

Mode 2: In Fig 6, when S₁₁ and S₂₁ are turned off, and S₁₂ and S₂₂ are switched on, the potential across L is equivalent to the input potential v_i, short that outputs v_o, subsequently making L to be non-magnetized. Likewise, the charge streaming through C is equivalent to the current i through L short the charge streaming through R. Also, in this mode, C_{b1} and C_{b2} are unexpectedly changed to v_i within a brief timeframe, considerably fewer than T_s. Also, subsequently, the relating differential conditions are

$$L \frac{\partial i}{\partial t} = v_i - v_o$$

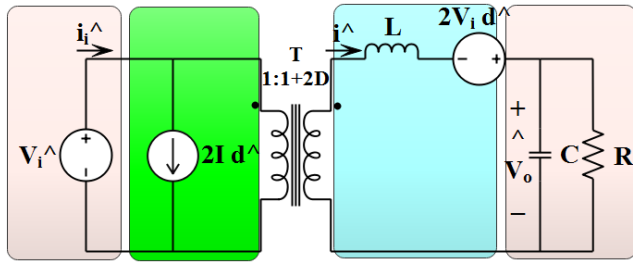


FIGURE 7. Signal of 1- plus 2-D converter.

$$C \frac{\partial v_0}{\partial t} = i - \frac{v_0}{R}$$

$$i_1 = i + i_{b1} + i_{b2} \tag{7}$$

By a relative methodology applied to the KY converter, the voltage change extent of the one plus 2D converters can be written as

$$\frac{v_0}{v_i} = 1 + 2D \tag{8}$$

Moreover, the little sign conditions can be bought as

$$L \frac{\partial \hat{i}}{\partial t} = (1 + 2D) \hat{v}_i + 2V_i \hat{d} - \hat{v}_0$$

$$C \frac{\partial \hat{v}_0}{\partial t} = \hat{i} - \frac{\hat{v}_0}{R}$$

$$\hat{i}_i = (1 + 2D) \hat{i} + 2I \hat{d} \tag{9}$$

1.2 Plus-D Converter:

Moreover, the resulting minimal sign model of the 1 plus 2D converter shows up in Fig. 7, where T is the ideal transformer with the turn's ratio of 1:1 plus 2D.

Mode 1: In Fig.8, when S₁₂ and S₂₁ are closed, S₁₁ and S₂₂ are opened. The e.m.f across the L is comparable to the input potential v_i notwithstanding the potential 2v_i across C_{b2} less the output potential v_o, in a like manner causing L to be charged. The charge moving through C is identical to the charge i traveling through L, short the charge traveling through R. Furthermore, in this mode, C_{b1} is unexpectedly charged to v_i in a brief period, which is altogether not as much as T_s C_{b2} is delivered. Also, in this manner, the conditions that are observed at differential equations are

$$L \frac{\partial i}{\partial t} = 3v_i - v_0$$

$$C \frac{\partial v_0}{\partial t} = i - \frac{v_0}{R}$$

$$i_1 = i + i_{b1} \tag{10}$$

Mode 2: In Fig. 9, when S₁₂ and S₂₁ are opened, S₁₁ and S₂₂ are closed. The potential across L is identical to the input potential v_i, notwithstanding the potential v_i across C_{b1} less the output potential v_o, as needs are causing L to be non-magnetized. The charge moving through C is identical to the charge I gush through L less than through R. Also, C_{b1} is delivered in this mode. Yet C_{b2} is startlingly charged to 2v_i inside a short period, which is not just about as much as T_s.

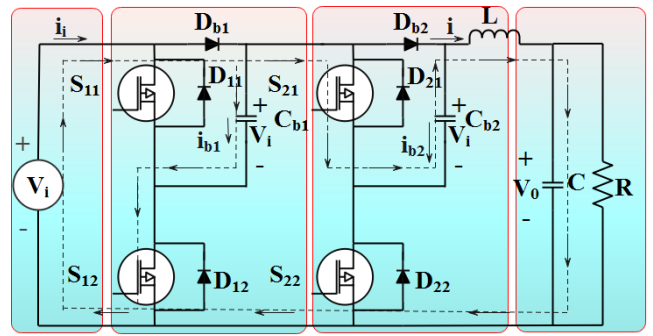


FIGURE 8. Mode 1 of 2- plus D converter.

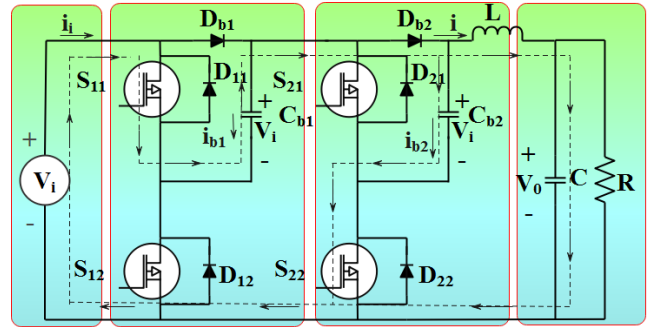


FIGURE 9. Mode 2 of 2- plus D.

Also, from now on, the conditions for looking at differential are:

$$L \frac{\partial i}{\partial t} = 2v_i - v_0$$

$$C \frac{\partial v_0}{\partial t} = i - \frac{v_0}{R}$$

$$i_1 = i + i_{b2} \tag{11}$$

With a relative strategy applied to the KY converter, the voltage change extent of the 2 plus D converters can be obtained as

$$\frac{v_0}{v_i} = 2 + D \tag{12}$$

Also, the little sign conditions can be obtained to be

$$L \frac{\partial \hat{i}}{\partial t} = (2 + D) \hat{v}_i + V_i \hat{d} - \hat{v}_0$$

$$C \frac{\partial \hat{v}_0}{\partial t} = \hat{i} - \frac{\hat{v}_0}{R}$$

$$\hat{i}_i = (2 + D) \hat{i} + I \hat{d} \tag{13}$$

In addition, subsequently, the contrasting minimal sign model of the 2 plus D converter shows up in Fig. 10, where T is the ideal transformer with the extent of the turn of 1:2 in addition to D.

III. MANAGING APPLIED TECHNIQUES

The KY converter was the proposed structure block for the KY converter, and the 2nd order derived KY converters only.

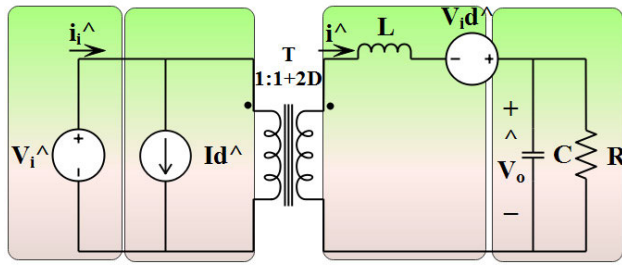


FIGURE 10. Signal mode of 2- plus D converter.

The one-comparator counter-based PWM control with no simple to the Analog to Digital Converter (ADC) considering the Field Programmable Gate Array (FPGA) [21] is used in this way. The limits of the PID controller are tuned by the load transient responses from no load to assess load and from evaluated burden to no load. The output potential after the potential divider is obtained through the comparator. After that, it transmitted an FPGA with a structure clock of 100 MHz to generate the ideal PWM control signals for driving the MOSFET switches after the entryway drives.

A. WHY KY & WHY NOT BOOST CONVERTER

Table 1 discusses the features of KY converters as compared to the boost converter.

B. MAIN DIFFERENCE BETWEEN KY AND CUK

Table 2 discusses the differences between the KY and Cuk converters.

C. INTEGRATION OF CUK-KY CONVERTERS

The Cuk converter is subject to discontinuous capacitor potential mode. The switches are nil potential and charge interchange [23], and movement-up-converter is used in the traded mode power deliver device. The Cuk converter-based power age has not used the inductor channel at the output side and moves the power quality using the control procedures. The Cuk converter has an unending charge at both input and output sides and is used for execution. The interleaved Cuk converter is used to diminish the data charge wave and to advance transient displays. The benefit of the Cuk converter has improved gain because of scratch-off source charge wave, a reduction of wave content in both output e.m.f plus charge, and enhancement of transient execution [24]. The movement of the up-converter makes the huge output potential expands. It moderates transient response because of the pulsating output capacitor charge and the right-half plane zero in move work from duty extent to output potential. The KY converter has a little output, e.m.f wave's differentiated speedy transient response, and lift converter.

The organized KY converter has been arranged with power parts, which are evaluated using energy-transferring capacitors, inductors, and channel capacitors [25]. The KY

TABLE 1. Why KY converter and why not boost converter.

Terms	KY converters	Boost converter
Main features	<ul style="list-style-type: none"> • Small output voltage ripples • Fast transient response • Produce non-stop output current 	<ul style="list-style-type: none"> • Large output voltage ripples • Slow transient response • Produce throbbing output current
Design parameters	<ul style="list-style-type: none"> • It is easy to design because the transfer function doesn't exist 	<ul style="list-style-type: none"> • Complex to design where the transfer function has zero
Transistor Magnitude AIC	$I = I_o = \frac{V_o}{R}$ The average inductor current (AIC) is lesser	$I_{boost} = \frac{I_o}{1 - D_{boost}}$ The AIC is more
Optimum transistor width (To decrease the overall transistor based on power loss)	$W_{opt} = \frac{\sqrt{R_o D^2 I^2}}{f P_{sw1} (1 - D)}$	$W_{opt} = \frac{\sqrt{R_o D I^2}}{\sqrt{f P_{sw1} (1 - D)^2}}$
Power Transistor	<ul style="list-style-type: none"> • The count of the power transistors is more 	<ul style="list-style-type: none"> • The count of the power transistors is less
Area and Power Loss	<ul style="list-style-type: none"> • It is more 	<ul style="list-style-type: none"> • It is less
Filter inductor power loss	<ul style="list-style-type: none"> • Smaller 	<ul style="list-style-type: none"> • Larger
Power loss disbursed by the output capacitor	<ul style="list-style-type: none"> • Smaller 	<ul style="list-style-type: none"> • Larger
Current transient over parasitic resistors	<ul style="list-style-type: none"> • Smaller 	<ul style="list-style-type: none"> • Larger [21]

TABLE 2. Main difference between KY and Cuk converters.

Terms	KY converter	Cuk converter
Features	<ul style="list-style-type: none"> • Works in continuous conduction mode • Output is constantly positive • Combined with boost and inductor coupled 	<ul style="list-style-type: none"> • Also works in CCM • Output is negative • Like the buck-boost converter
Pros	<ul style="list-style-type: none"> • Usage of Maximum Power Point Tracking (MPPT) method for variable voltage • Having risen output voltage with a similar duty cycle 	<ul style="list-style-type: none"> • Better efficiency • Minimization in output voltage and current • Increase performance
Output Voltage	$V_{i2} = V_{c2} - V_o$	$V_o = -\frac{V_{in} D}{1 - D} [22]$

converter has a blend of a reviewed support converter and a coupling inductor. This converter has separated the connection between the output potential and the burdens charge. The KY converter has high voltage obtained by blending two converters, lift and coupling inductor. The spillage inductance of the coupling inductor is used to accomplish Zero-Voltage Switching (ZVS). The current load on the charge siphon capacitors and the reducing speed of the diode charge can be limited because the use of the coupling inductor and output charge is non-pulsating [26]. The KY converter-based staggered specific inverter has declined the

switching device's potential, charged factor, and augmented the converter-based system's capability. The output e.m.f of the Cuk-based staggered inverter has fabricated the large increment by the turn's ratio and duty cycle. The output of the KY converter has two bucks, like the lift converter [27], [28]. The H interface inverter has been used to lessen the power switches, mishaps, potential, pressure, and converter price. The stunning inverter has decreased the sounds and advanced the introduction of the converter structure. The solar energy-based inverter system has a clear and interesting power electronic device line with the supply. The inverter has worked in both balanced and unbalanced modes [29].

The design and implementation of non-isolated zeta KY triple port converter for renewable application has been reported [30]. It is found that PV system and Battery was used as a hybrid sources for the same converter to minimize the output voltage ripples. The controller of the KY Converter uses the best force point following the control strategy for making enormous power from solar energy [29]. The energy unit-based Cuk converter controls the potential using the PI control technique. Harmless to the ecosystem's power, the sun-based energy units make the DC e.m.f small. The Cuk enhances the e.m.f, and the KY converter decreases. The DC-interface output is dealt with in the stunning inverter, which will make moderately fewer full-scale symphonies twist and improve the viability of the inverter by dealing with economic force structure [23], [24]. The dc-interface voltage is differentiated, and a reference voltage and is dealt with into the PI control-based PWM change will coordinate the output of the Cuk-based force module. The KY converter uses the most limited power output to improve potential security, like coordinating the e.m.f.

D. INTEGRATION OF SPEIC AND KY

The PV structures rapidly expand and cover the extended electric energy headways, providing additional safe power supplies and non-contaminating electricity power. The system contains daylight-based sheets, a MPPT controller, a composed Single Ended Primary Inductance Converter (SEPIC), and a KY converter. This converter gives a reliable dc transport potential, and the MPPT controller compels its duty cycle. A Perturbation and Observation (P&O) approach is applied for MPPT. By keeping up the power quality with input control is used. The all-out system is arranged and shown to survey its show. Reproduced results show the MPPT controller and arranged structure for contrasting natural conditions and burden agitating impacts.

Likewise, the SEPIC converter needs no current snubber for the diodes. The designed SEPIC and KY converters, in which the SEPIC converter surrenders an added development, and the KY converter reduces the potential stress. They also provide a greater potential change extent while decreasing the potential output expansion. This large-progressed-up-converter has found its applications in electric vehicles, persistent or limitless [30] Uninterruptible

Power Supplies (UPS), High-Intensity Discharge (HID) light, energy segment structure, and photovoltaic systems. The joined SEPIC and KY Converter with the dc supply driven by the sun-arranged solar cells is analyzed. This converter uses little assessment of inductors that output larger force thickness and appropriately enhance the structure's capability. The output e.m.f is increased and decreases the consonant substance. It bunches a non-pulsating output right now; this way not only reduces the charge load on the output capacitor but also diminishes the output potential. This converter uses more unobtrusive inductors, outputting large power thickness, improving the usefulness of the system. The output potential is held up and diminishes the consonant substance. In this way, it bunches non-throbbing output right now, not simply lessening the current load on the output capacitor, yet also diminishing output voltage growth.

In this examination, the guarantee from the PV structure is dealt with by KY and SEPIC converters. The comparing outputs are related, and the stack and outputs are checked. Each converter is related to the input, and outputs are related to a comparative burden resistor [31].

IV. VARIOUS TECHNIQUES OF KY CONVERTER VOLTAGE BOOSTING

Du Xia *et al.* proposed a new dependent on the mathematical portrayal of the KY converter and sigma-delta modulator for computerized digital PWM control, which is represented in Fig.11. This article presents a computerized PWM control of the KY boost converter subjected to the sigma-delta modulator. The mathematical exhibiting of the KY up-converter and sigma-delta modulator is intended. To validate the idea, the electronic control of the KY converter with a sigma-delta modulator, integrator, and unloader, as well as an automatic duty cycle converter, has been effectively innate in Matrix Laboratory (MATLAB)/Simulation link (Simulink). The output of the detached sigma-delta modulator can make a discrete-time PWM signal to control the KY converter. This exhibiting work might propose a small power dormant sigma-delta modulator-controlled KY boost converter with small output potential and fast transient response later. The primary advantage of this proposed framework is a decrease in power utilization, less popularity, versatility to alter parameters [32].

Zeng Wen-Liang *et al.* fostered a model named A 220-MHz band wire-based completely coordinated KY converter with a quick transient response dependent on Discontinuous Conduction Mode (DCM) as depicted in Fig.12. The DCM of a covered loop-based PWM control for KY incorporates four significant advances: (1) Arrangement of the converter structure using design derivatives; (2) development of the DCM closed loop with a type II compensator; (3) To simulate the DCM resistor, a technique called Zero Current Detection (ZCD) is used. Furthermore, in the last four (4) DCM alignment loops, the principal benefits of this model are a decline in misfortune and having a simple mode for keeping up the precision of the framework

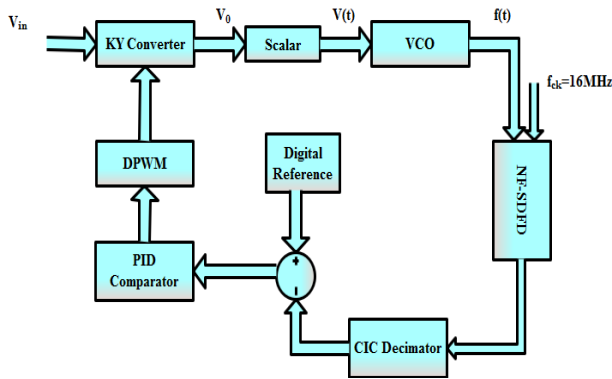


FIGURE 11. KY converter and sigma-delta modulator for digital pulse width modulator control.

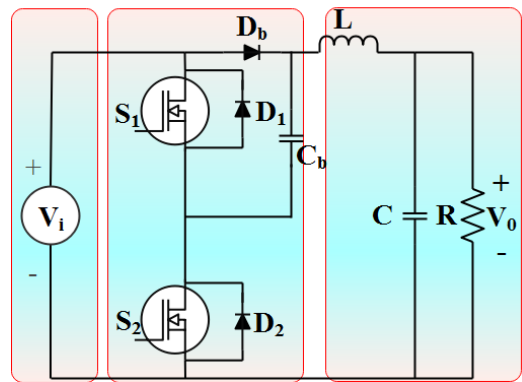


FIGURE 14. Voltage gain enhancement using KY converters.

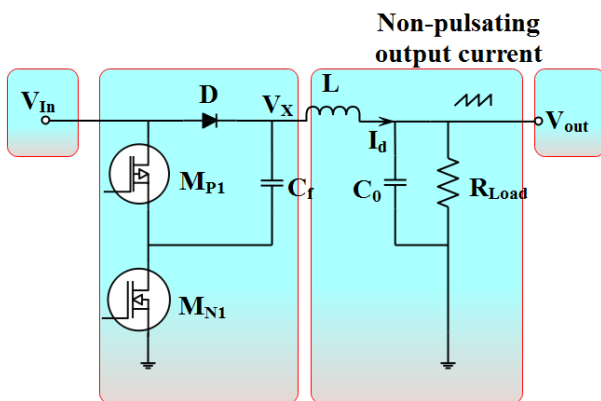


FIGURE 12. A 220-MHz band wire-based fully integrated KY converter with a fast-transient response.

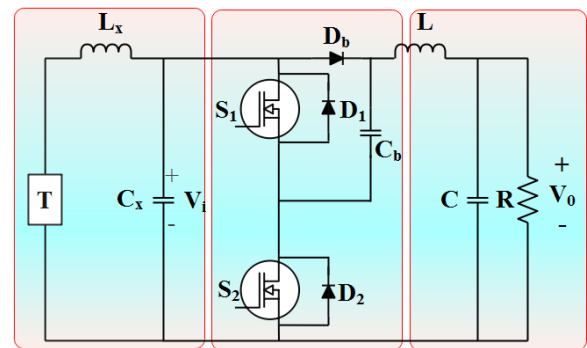


FIGURE 15. Potential control for a thermoelectric Generator using a key generator.

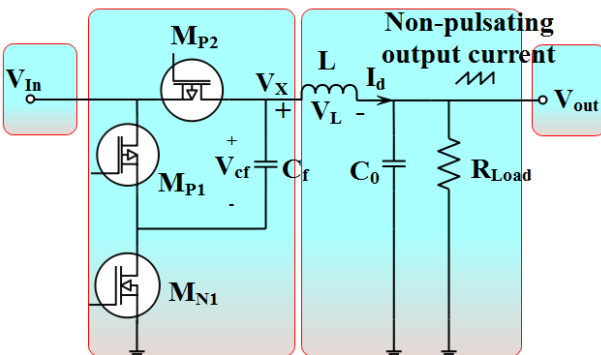


FIGURE 13. The KY converter using DCM operation under constant on-time control.

in wire inductance. It achieves a loosening up time contingent upon load transient of 2.6ns/mA [33].

Zeng Wen-Liang *et al.* proposed planning a KY converter using DCM activity under consistent on-time control. The primary point of this strategy is to build adequacy through the profound light burden condition (refer to Fig.13). While looking at the productivity of the proposed strategy with PWM balance in KY, it conveys high effectiveness.

This strategy comprises standard 65-nm CMOS innovation. This model applies to the low force applications like the structure and trying different things with the PWM adjustment regulator under CCM. This procedure permits using straightforwardness in expectation and the least force ZCD strategy used to manage the circuit. MATLAB is used to generate the recreation results. A renewable energy based KY boost converter with only voltage loop classical PI control has been well executed [34]. From this article, the authors has not been addressed controller design, output voltage ripples of this converter has produced 0.6V and also, not discussed input voltage and load resistance changes of same converter and its structure is shown in Fig. 14. This composition explains the strategies to deal with voltage acquire. The KY and buck-boost converter are used to build the KY step-up-converter. The number of straightforward minuscule applications stirred dependent on this progression of the KY converter. This used to have the greatest voltage gain and least output ripple wave. The performance was obtained using MATLAB/Simulink. Here, the converter gives the most extreme voltage gain, drop output voltage. The high advance-up-converter is presented as incredibly important when differentiated from the other regular advance converters and the KY Converter from examining the diverse DC-DC converters. By uniting the coupling inductor with the turn's ratio, and the exchanged

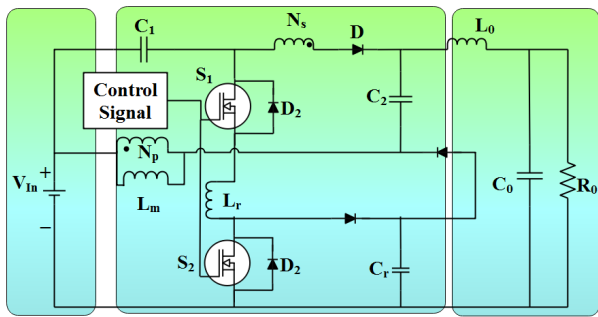


FIGURE 16. Closed-loop control of soft switched KY step-up-converter.

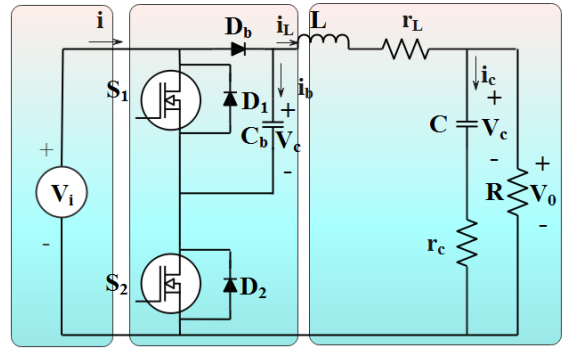


FIGURE 17. Implementation of Type III converter for KY converter based on PSIM.

capacitor, the looking voltage obtained is larger than that of the current development boost converter joining KY and step-down converters [35].

Ortiz-Rivera *et al.* present a novelty called voltage control for a Thermo Electric Generator (TEG) using a key generator (see Fig. 15). It essentially characterizes the method for controlling the voltage, which relies upon choosing the best in duty cycle if an environmentally friendly power framework involves a TEG should arise. The mathematical model that depicts the TEG is presented very much like an acceptance for ideal characteristics (for instance, current and voltage) that give the most limited power.

The conditions for the KY-Converter are portrayed, recalling the track down the center’s worth of conditions for terms of the duty cycle using the switching semiconductors in the topology. The various steps to choosing the right TEG for a specific resistive burden are obliged by switching to the near-most special power. Amusements are required to have a specific resistive weight whose output potential is overseen and controlled using a KY Converter for a TEG input [36]. Jose Anjaly *et al.* developed a closed-loop control of the soft switched KY step-up converter, which is used to increase the voltage obtained when a fixed inductor is taken. The soft switched procedure is used here to diminish the exchange misfortune where the viability of a converter gets expanded, as shown in Fig. 16. Both equal and arrangement-based resonance circuits can similarly improve this strategy. The real benefit of this method is a decrease in the deficiency of switch and conduction limit, which gives high voltage gain. The simulation is carried out using MATLAB/Simulink. Diversion is made with a 12V input voltage. The attained output voltage is 72V, the output current is 0.8A, and the output power is 60W [37].

Hwu, Kuo-Ing *et al.* explained about the execution of Type III converter for KY converter dependent on PSIM, and it is represented in Fig. 17. The method is designated “state-space averaging,” the “KY,” limitations, and the small ac circuit. When the choice of a particular strategy gets over, the proposed technique will be used to pick a type III compensator that gives essential the phase margin, and crossover frequency is computed based on the voltage changes. This margin and the derivative of compensator are

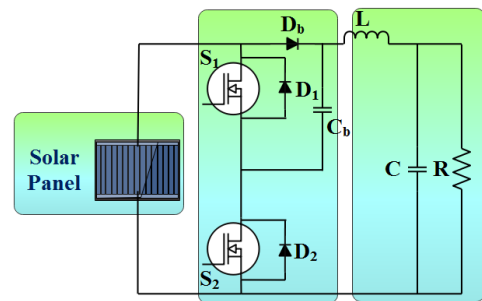


FIGURE 18. A solar energy-based KY converter.

acquired. Finally, the efficiency of the KY converters in closed loop was exhibited by using PSIM software.

The little sign ac model of the open loop KY converter is construed as the first dependent in state-space averaging method, and the exchange limits are set up similarly. Besides, the arranging philosophy can be further specified by picking the mixture repeat subject to the output potential during the transient time span. Likewise, the results dependent upon MATLAB and PSIM are given to check the arrangement of the type III compensator for the KY converter. Likewise, from the results, it will generally be seen that the KY converter has a respectable execution of transient encumbrance response [38].

Bhagyalakshmi *et al.* portray a sun-based energy-based KY converter with an inverter where the photovoltaic joined with the KY converter are used to increment or diminish the voltage where the coordinated converter inverter is used (see Fig.18). The framework doesn’t have back-to-back cost because the sun can be straightforwardly acknowledged where PV acknowledges the voltage source. A phase-up-converter is given that is an aggregate of KY converter and inverter with the great benefits that produces AC used to join the pile. A MATLAB re-enactment is taken. The voltage gets expanded because of the evaluated siphon and fixed inductor when a “greenhouse boost converter” is shaped with a synchronic rectifier. It takes a long way toward supplanting the diodes with MOSFETs [39].

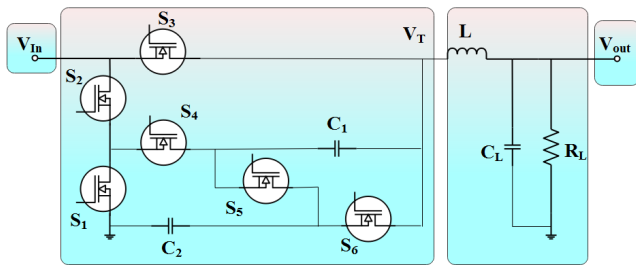


FIGURE 19. Improved KY converter design with a low-power ZCD circuit for wide load current application.

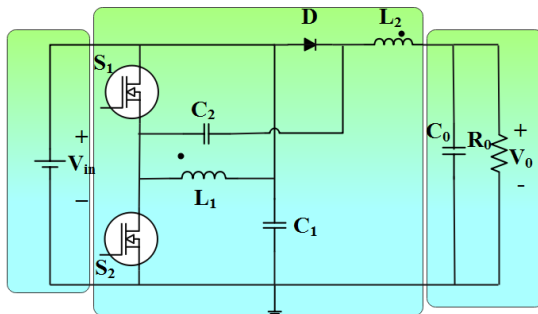


FIGURE 20. Design and implementation of KY Buck-Boost converter with voltage-mode control.

Xie Ying *et al.* talked about a curiosity called a development of an enhanced KY converter with a ZCD circuit for wide load charge application, as shown in Fig 19. The current DCM methods are bankrupt. A novel ZCD procedure is proposed and demonstrated. The KY converter is produced using a 0.18 μm BCD measure with a working domain of 3.4 mm^2 . The off-chip portions of an inductor of 4.7 μH , a load capacitor of 4.7 μF , and two flying capacitors of 100 μF are used.

Re-allowed results show that the arranged ZCD work splendidly in the DCM of the proposed converter. The Power Change Capability (PCC) can be kept up above 90% over a wide weight territory from 100 mA to 2 A, and the PCC is improved by 16.3% differentiated and ZCD at 25 mA load current. A new ZCD system is developed to shed the opposite current, which is miraculous under the light burden, differentiated, and re-establishment results without ZCD. Finally, with more than 100 mA load current, the converter can keep up with the PCC by more than 90% [40].

Naveen Janjanam *et al.* depict a cycle of designing and execution of the KY buck-boost converter (see Fig. 20) with voltage-mode control for expanding the KY buck-boost converter voltage-mode simple regulator is developed. This converter is constructed using a PI regulator to standardize the output voltage. A preliminary model of the KY buck-boost converter of 30 Watt, 12 V output e.m.f, 10 kHz with the discrete basic controller is arranged and made for an input voltage of 10V-16V. The converter's value with the controller under the shut circle appears for the variety in input potential. The benefit of this model is that output voltage impacts the

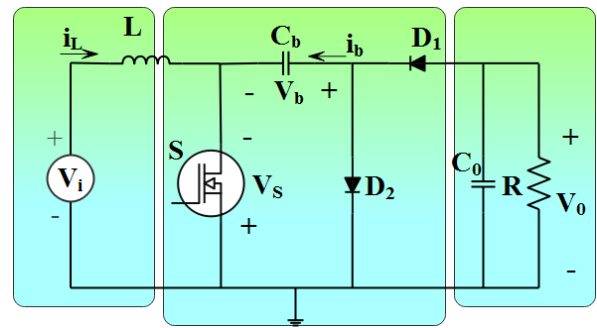


FIGURE 21. A real-time simulation of KY boost converter on a miniature full spectrum simulator.

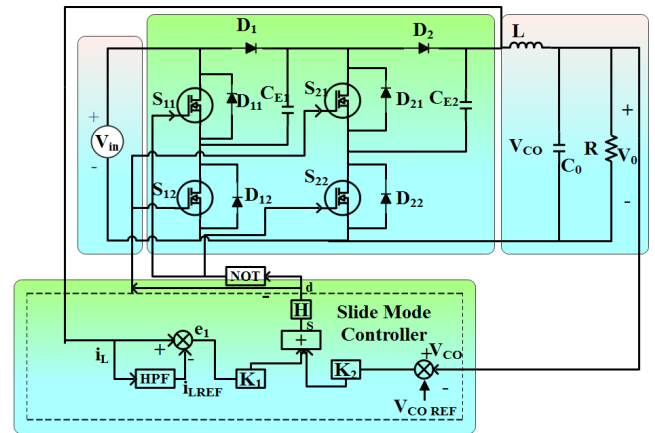


FIGURE 22. Modeling, simulation, and design of variable structure-based sliding mode controller for KY voltage boosting converter.

“constant state” charge. It achieves dynamic conduction. Diversion and elements results are familiar with checking the handiness of the converter with the controller under predictable state and dynamic conditions [41].

Shiburanj *et al.* proposed a model known as a real-time design of KY boost converter on a little entire range test system is depicted in Fig.21. It helps test the converter's execution in a collection of works. The continuous performing of the KY converter is done using a full spectrum simulator, a proliferation system to explicitly deal with the entire scope of diversion, separated propagation, constant amusement, and equipment on the up and up. A typical showing of the converter is done, and the KY converter library is made in FSS-Mini. FSS is in its starting stage, and it maintains gathering level solver options. The re-sanctioning outcomes will be open dynamically, and they can be interfaced with a controller in the Hardware in Loop (HIL) diversion. The KY converter library can be efficiently used for controller improvement and testing purposes.

Meanwhile, setup issues can be found, enabling expected compromises to be settled and applied, diminishing progression costs. Testing costs can be diminished since HIL test plans consistently price actual courses of action, and the continuous test framework can be used for various

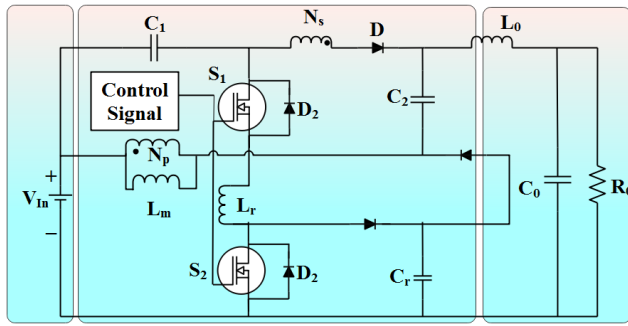


FIGURE 23. KY step-up-converter with delicate exchanging.

applications and exercises. Furthermore, unsafe, or costly tests using open test seats can be efficiently unplanted [42].

Selvan *et al.* fostered a strategy for modeling, simulation, and designing a variable structure-based SMC for KY-voltage up-converters. The interest in non-separated voltage-boosting converters has experienced a striking extension as of late. The extended application regions have a collection of judgments and evaluations on DC/DC converters. A number of assortments have been tended to, despite the basic buck and lift converters. The key problem with them is a problematic level of voltage swell, which results from the current pulse. The KY organization of converters offers answers to this problem, and they stay in CCM and identical the concurrent revision in execution. This article the examination, planning, and implementation of potential control of the positive output KY Voltage Boost-Converter (KY-VBC) using a variable development-based SMC. For purposes requiring the fixed power supply in battery-worked flexible contraptions—PC periphery devices, diverse clinical stuff, mechanical and robot system applications, etc. The SMC is delivered for the innate factor nature of the KY-VBC with the help of the state-space averaging based model (see Fig. 22). The presentation characteristics of the SMC are checked for its goodness to perform over a wide extent of working conditions through the MATLAB/Simulink model in connection with a Proportional-Integral (PI) controller.

Theoretical assessment and re-enactment results are presented close to the total arrangement technique [43].

Jose *et al.* convey an idea called soft switched KY step-up converter. A new voltage obtains an improved KY boost converter with non-stop conduction mode. A KY converter is a voltage boost converter that reliably works in strict conduction mode. To improve the potential, a coupled inductor can be used. Fragile switching is applied to diminish the switching setbacks, and it advances the capability of the converter. Propagation is done with a 12V input voltage. The gained output voltage is 72V, the output current is 0.8A, and the output power is 60W. A KY converter close to a concurrent buck-support converter structure is presented here. To get a high-voltage secured, a coupled inductor can be used. Proliferation is done using MATLAB. The expanded redesigned output voltage is acquired, and it is illustrated in Fig.23 [44].

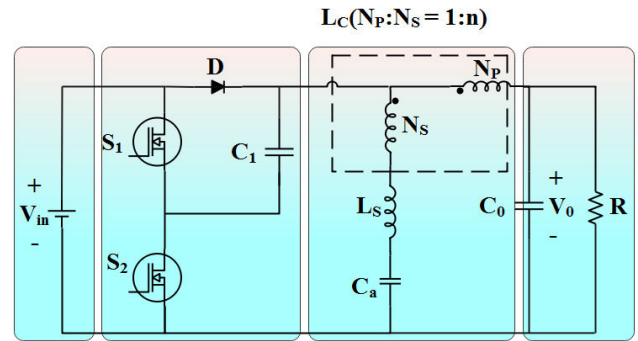


FIGURE 24. KY converter is the soft switching step-up-converter with ripple-free output current.

Kim *et al.*'s proposed work for the KY converter is the soft switched converter with ripple free output current. A sensitive switching boost converter with a wave-free output charge is suggested. This converter relies upon a voltage-boosting converter named the KY converter. Thus, the suggested converter has features of the KY converter, for instance, secured switch potential stresses to the information voltage, non-pulsating output current and fast transient response. Also, by utilizing an additional circuit, the Zero-Voltage-Switching (ZVS) of power switches is refined. This way, the switching losses is diminished, and the structural capability is improved.

Furthermore, the associate circuit neutralizes the channel inductor current wave. By then, a wave-free output current is refined. The operational guidelines and reliable state assessments of the proposed converter are given exhaustively. Experimental results on a 60W model at a steady switching frequency of 200 kHz are presented to affirm the theoretical examination. Thus, the overall effectiveness is improved by 1.95%, and the output channel inductor current wave reliably ends up being very small. In this article, the suggested converter was introduced (see Fig. 24), and the action of its modes and the arrangement conditions were discussed exhaustively, and preliminary results from a model were given [45].

Kumar *et al.* designed an improved KY Positive Output Boost Converter (KY-POBC) execution using a traditional PI regulator. It focuses on demonstrating the re-establishment of complete model with expected results using PI control. Because of the time-fluctuating and switching credits of KY-POBC, its dynamic execution is changeable. Because of the extension of the incredible characteristics, PI control is set up, outputting reasonable control of KY-POBC. The state of the KY-POBC is derived with the help of an averaging procedure from the start, and subsequently, PI control is made using the Zeigler-Nichols tuning system. The assessment of the designed controller is checked at different working conditions using the transient region and supply voltage variations by making the MATLAB/Simulink model. The results showed arranged controller has proficient at various working regions [46]. The converter model is stated in Fig.25.

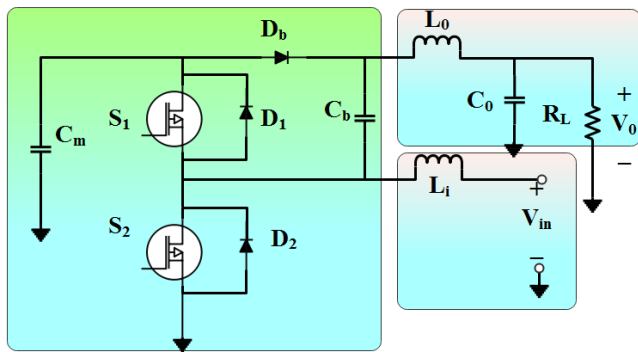


FIGURE 25. Improved performance of the KY positive output boost converter using a classical PI controller.

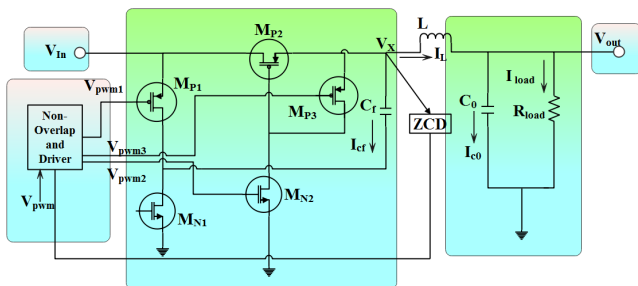


FIGURE 26. DC operation analysis of the KY converter.

Zeng *et al.* promoted a DC operation examination of the KY converter. The KY converter (see the model in Fig. 26) is completed into a fused circuit; its DCM operation cannot be eliminated because of a little inductor regard. The limit for the DCM movement area, DCM dc potential, and minimal sign exchange limits are suggested, which fill the opening of the DCM action theory for the KY converter. The performance was carried out by using MATLAB/Simulink [47].

V. APPLICATIONS: PHOTOVOLTAIC APPLICATIONS

A. PHOTOVOLTAIC SYSTEM FOR AN AUTOMOBILE WHILE IN MOVEMENT

Using a photovoltaic structure on the boat may diminish the price and contamination achieved by petroleum products. To propelling the effectiveness of the PV structure, a suitable MPPT ought to be done on the structure. The MPPT should have a speedy response to beat the fast changes of daylight-based irradiance, considering boat advancement or ordinary occasions. A blend of Artificial Neural Network (ANN) based MPPT and KY converter is used and is supported by a PC-based amusement. The results show that the procedure can drive the solar-powered system execution with a quick response to differences in solar irradiance [48].

B. PHOTOVOLTAIC FOR H2O SYSTEM

Sun-situated-based water siphoning systems are getting a broad idea since sun-situated energy is the best game plan for the flow of customary power resources. Furthermore,

sun-arranged solar cells for water siphoning are supported as a strategy in remote areas for various applications. The KY-based DC-DC converter is proposed to deal with the water siphoning structure with a Brushless DC motor (BLDC). Voltage swell reduction is one of the essential advantages of a KY converter with a large transient response. For following the most limited power under various enlightenment conditions, P & O based MPPT is used by changing the duty cycle of the KY converter. There may be more than six switches on a voltage source inverter (VSI), but four switches are used, where cost saving is refined by reducing the number of inverter power switches. A BLDC motor is related to driving the outward guide since it has an ideal component while partnering with a PV generator [49].

C. RENEWABLE ENERGY APPLICATIONS

Another high capability, high development boost, non-isolated, interleaved DC-DC converter is presented for harmless ecosystem power applications. Two adjusted increases in KY converters are interleaved in the suggested topography to achieve great change without coupled inductors. The KY converter has a larger potential gain that is acquired with an appropriate duty cycle. Notwithstanding the incredible voltage gain of the suggested converter, the potential stress of the power switches and diodes is small. Like this, switches with low conduction incidents can be applied to improve converter capability.

Additionally, due to the utilization of interleaving systems, the current ripple wave is low, making the suggested converter a fair opportunity for supportable force applications, such as the PV power structure. The proposed converter’s action standard and steady-state assessment in CCM and DCM are discussed exhaustively. Moreover, the theoretical impacts of the proposed converter are resolved. Finally, to survey the suggested converter movement by a harmless to the ecosystem power source like a PV, the re-sanctioning outcomes are presented [50].

Harmless to the ecosystem, power is the energy that is assembled from endless resources. Because of the rising utilization of fossil fuels, harmless to the ecosystem, power is the source of power humankind will saddle with electrical power—the power so improved by DC change to give the load properly. The lift converter is used by and for the chopper control in wind and sun-arranged power structures that give response scribes that can be improved via completing a KY converter rather than the lift converter. The KY converter is a phase-up DC-DC converter with transient response working in CCM reliably with low voltage swell, non-pounding current. The KY converter gives a higher voltage output than the standard lift converter. In this topography, where it is gotten together with buck help converter, DCM is conceivable. The KY converter is finished in element to analyze the action in every way that matters and check the credibility of using the converter in a harmless way to the ecosystem’s power systems [51].

TABLE 3. Comparison of KY converter topology with control methods.

Type of Converter	Control Variable	Voltage Transfer Gain	Control Methodology and its implementation	Description
KY Converter	Duty cycle	$V_o/V_i = 1+D$	PID Controller	The proposed converter gives the best encumbrance transient response identified with the progression down converter. The transient response of various burden conditions is represented, and an overshoot of 40 mV and 80 mV with a recuperation period of 10 μ s and 30 μ s is developed [53].
KY Converter-2D Converter	Duty cycle	$V_o/V_i = 2D$	Open-loop Control	The researcher has determined transient encumbrance responses because of the load change from no load to rated load and from appraised encumbrance to no load. It is seen that overshoot of 200 mV with no voltage spikes during the recuperation season of 100 μ s is acquired [54].
KY Converter	Duty cycle	$V_o/V_i = 2+D$	FPGA with PID Controller	The specialist found that the duty cycle is contracted when the input voltage is extended. So, the topography appears to be transformed from at least a 1-2D converter to the KY converter. To increase the duty cycle, the duty cycle is extended as the input voltage decreases. The topology is adjusted from the KY converter to at least a 1-2D converter to lessen the duty cycle [55].
KY Converter-1 plus 2D Converter,2 plus D	Duty cycle	$V_o/V_i = 1+2D,2+D$	Open-loop Control	The researcher has seen transient problem responses in both 1 or more 2D converters and 2 or more converters. Because of the load change from 0 % to 100% or 100% to 0% of appraised load overshoot. Inside 100mV with the comparing recuperation season of 75 μ s [56].
KY Converter	Output Voltage Ripple	Not defined	Open-loop Control	The ZVS and ZCS are the fragile switching techniques the maker uses to update the viability of the proposed KY Converter [57].
KY Converter	Voltage ratio	Not defined	Fuzzy Controller	It is seen during reproduction that the fuzzy regulator gives a good unique response as far as the fast transient burden response with a maximum overshoot of 200mV with a recuperation season of 75 μ s [58].
KY Converter-Buck/Boost	Voltage ratio	$V_o/V_i = 1/2-D; 1+D$	FPGA with PID Controller	The proposed converter works in the two modes, i.e., Buck and Boost mode, and it is proper for charging and delivering the batteries.[59]
KY Boost Converter	Voltage ratio	$V_o/V_i = 1/1-D$	FPGA with PID Controller	A negative output KY help converter with an extra capacitor and diode is intended to build a quick burden transient response under different burden conditions [60].
KY Boost Converter	Voltage ratio	$V_o/V_i = 1/1-D$	FPGA with PID Controller	The researcher intended to estimate energy-transferring capacitance, inductor, and output capacitor to improve the functional ability of the converter in modern applications [61].
KY Boost Converter	Voltage ratio	$V_o/V_i = 2D$	FPGA with PID Controller	The researchers have deliberated on estimating energy-transferring capacitance, inductor, and output capacitor and converter work with no bilinear attributes [62].
KY Boost Converter	Voltage ratio	$V_o/V_i = 2D$	FPGA with PID Controller	The researcher planned the estimation of energy-transferring capacitance, inductor, and output capacitor recreated them with various estimations of information voltages of 10-16V and saw that the converter works with no bilinear qualities [63].
KY Converter	Voltage ratio, Duty cycle	$V_o/V_i = 1+D;1+2D;2+D$	Open-loop PSIM and FPGA with PID Controller	The exhibition of the converter is re-enacted in both open-loop and closed-loop control. It is seen that, in every one of the three modes, the KY converter works in constant CCM with a quick transient encumbrance response. The creator has provided the Nth request minor of the KY converter to expand the output voltage further [22].
KY Boost Converter-2D Converter	Voltage ratio, Duty cycle	$V_o/V_i = 2D$	FPGA with PID Controller	Evidently, the higher the input voltage, the lower the inductor current wave, and subsequently, the lower the outputs swell. The output expands without upheaval considering it is inside 100 mV near the supported switching repeat of 195 kHz. The proposed two converters have speedy transient responses like the direction of the buck converter with synchronous rectification, extraordinary line, and weight rules, and low output voltage grows because of non-pulsating output flows [64].
KY Converter	Voltage ratio	$V_o/V_i = 2-D/1-D$	FPGA with PID Controller	The suggested KY support converter has a larger potential extent than the lift converter. The input and output inductor streams are constant and sensible for low-swell applications. It is seen that the capability of this converter is 90% or more over the half burden [22].
KY Buck Converter	Voltage ratio	$V_o/V_i = -D$	FPGA with PID Controller	The maker has arranged the resonance limits, and it is seen that no current spikes are traveling through the energy-moving capacitor and the data. The fragile switching techniques are used to turn on the switches in the converter. Exactly when ZVS is used to turn one switch, and the other switch is faulted during ZCS, the converter's reverse way around and viability is improved [65].
KY Boost Converter	Voltage ratio	$V_o/V_i = 2-D/1-D$	FPGA with PI Controller	The proposed converter has a larger potential transformation proportion than the expected SR boost converter. The input and output inductor flows are ceaseless and reasonable for low-swell applications. Over half of the encumbrance, the proficiency is 90% or higher. The suggested converter is appropriate for little force applications because the flood current made by the charge siphon is fundamental. The delicate exchange with flood current smothers this issue and makes this converter prone to being used in large power applications [66].

TABLE 3. (Continued.) Comparison of KY converter topology with control methods.

KY Converter	Efficiency	Not defined	Open-loop control-PSIM	The researcher intended the dead time between the switches and the soft switched capacitor. Tantalizing exchanging is applied to the KY converter to improve the effectiveness close to the appraised load. Thus, the capacity of the KY converter is used in power-driven applications [67].
Two-Stage Boost Converters	Voltage ratio	$V_o/V_i = 1+D/1-D$	FPGA with PI Controller	The two-stage converters with various estimations of controller acquisition are recreated, and it is seen that the converter works steadily under all loads. It is appropriate for low-wave applications [68].
KY Boost Converter	Voltage ratio	$V_o/V_i = (2/1-D) + (N_s/N_p)$	Open-loop Control	The coupled inductors have a higher voltage transformation proportion than the KY help converter because of the turn's ratio of the coupled inductor. Subsequently, the proposed converter is truly reasonable for high-voltage applications. This converter has an effectiveness of practically above 90% except for extremely light loads [69].
Step-up-converter	Voltage ratio	$V_o/V_i = 2-D/1-D$	FPGA with PI Controller	The KY converter unit and the standard SR buck-boost converter are expected to grow the voltage change extent of the KY converter. The converter has an output inductor and no pulsating current flowing through the output capacitor, causing little output voltage ripple wave [70].
2-D Converter	Duty ratio	$V_o/V_i = 2D$	PI Controller	The inductor has been proposed to diminish the negative current that exists above 25% of assessed DC. The assessments of the C_b are proposed to achieve a most limited duty cycle [71].
KY Boost Converter	Output Voltage Ripple	$V_o/V_i = 2-D/1-D$	Fuzzy Controller	Compared to PID control, the fuzzy regulator-based Mamdani derivation framework provides a faster setting time and reduces the output ripple voltage to 7mV [72].
2nd Order KY Converter	Output Voltage Ripple	$V_o/V_i = 1+2D$	Neuro-Fuzzy Controller	The neuro-fuzzy controller reduces the output ripple voltage to 1.5mV and the settling time to 7mS, differentiating from the PID controller [73].
2nd Order KY Buck-Boost Converter	Voltage and current ripple	Not defined	Linear Feedback Voltage control	The inductor has been intended to diminish the current ripple wave, and capacitors are intended to accomplish low output voltage ripples. The input control circuit manages the output voltage, and the control circuit displays high powerful execution during following a set-point counter balance [74].
KY converter with SR Buck Converter	Output Voltage	$V_o/V_i = 2D$	Open-loop control	The proposed converter can operate in step-up mode when D is greater than 0.5 and step-down mode when D is lesser than 0.5. It works efficiently for load current above 0.5 A with an efficiency of 86% [75].
KY Converter	Voltage Gain	$V_o/V_i = 2D; 1+D; 1+2D$	Open-loop control	Explained about review on voltage to improve using the KY converter procedure [76].
KY Converter	Voltage Gain	$V_o/V_i = 1+D(2n+1)/1-D$	Feedback control	The voltages across the C_b are kept shut down at 5 V, and the usefulness is above 90.38% wherever the load is run and can be up to 92.29%. The inactive snubber is used to diminish the voltage spike on the change to grow the viability of this converter [77].
KY and buck-boost converters	Voltage Gain	$V_o/V_i = 1+(N_s/N_p -1) D/1-D$	FPGA with PI Controller	The boundary condition for the polarizing inductor and output inductor is intended to keep the activity of the converter in a positive current area. With the proper plan determination, the control strategy increases the voltage gain of the proposed converter [78].
KY and buck-boost converters	Voltage Gain	$V_o/V_i = 2-D/1-D+(N_s/N_p)$	FPGA with PI Controller	A new high-development up-converter solidifies the coupled inductor with turn's ratio, and the exchanged capacitor causes the voltage to be higher than the movement up-converter, joining KY and buck-boost converters. The output current is non-pulsating, and thus, the output voltage ripple is small [79].
KY Converter	Switching frequency and Energy-Transferring Capacitor	Not defined	Open-loop control-PSIM	The estimations of the v_o and i_L are impacted by the energy-transferring capacitor C_b and the switching frequency f . The inferred move work shows that the energy-moving capacitor and exchange recurrence have significance in the unique conduct of the converter [80].
Buck-Boost Converter	Voltage transfer ratio	$V_o/V_i = D(1+N)$	Open-loop control-PSIM	The voltage change extent can be changed by changing both the duty cycle and the turn's ratio. Here, both the duty cycle and the ratio of the turn are free, and subsequently tuning the duty cycle does not impact the ratio of the turn [81].
KY and buck-boost converters	Voltage Gain	$V_o/V_i = 2-D/1-D+(N_s/N_p)$	FPGA with PI Controller	Plan of input and output inductor esteems are picked dependent on inductor ought not to work on negative current. Before planning C_o , the output voltage swell Δv_o is thought to be more modest than 0.1% of the evaluated output voltage, Δv_o is more modest than 72mV [82].

D. BLDC MOTOR FOR WATER PUMP

Hwu et al. show the assessment of a BLDC motor using a KY converter. Customarily, the landsman converter is used to restrict the growth of the inverter yet make high return power expand. In this way, the inverter's output in the KY converter decreases waves, and even dc source

accommodates the inverter. It will be used to work a brushless dc motor, which subsequently improves the motor execution. The electronically commutated brushless DC with a voltage source inverter can be worked at a high repeat rate to reduce switching adversities and increase viability [52].

VI. COMPARISON OF KY CONVERTER TOPOLOGY WITH CONTROL METHODS

Table 3 presents the comparative analysis of the KY converter topologies with different controlling techniques.

Likewise, in a solicitation to develop the output voltage, additional converters acquired from the KY converter are conferred at something very much like time. The KY converter and the two 2nd order KY converters can consistently and controllably work through reproduced and tested results.

The coupled inductor based KY converters has been improved more voltage transfer gain in comparison with normal KY converter. The output ripple voltage of the KY converter was mV range.

VII. CONCLUSION

Another step-up-DC-DC converter, named KY converters, was suggested in this article, which gives low output ripples/high output potential without pulsating. Likewise, it is proper to give the ability to devices that should work under small-ripple conditions. Not in the slightest degree like the traditional converter. It offers speedy transient responses, compared with the other fundamental DC-DC converters.

Additionally, the two Nth order derived KY converters can develop the output voltage if essential. Subsequently, this investigation causes the specialists of KY converters to have an insightful investigation of the constant power source applications such as medical instruments, stereo, telecommunication, robot communication interface device, motherboard, DC micro grid, AC grid, variable frequency drives and EVs etc.,. This article carried out a critical comprehensive review of KY converters via application, structure modification, topologies, operating modes, modulation techniques, coupled inductor concept, and control methodology. These reviews clearly show that interleaved and parallel operation of KY converters has not been reported. Furthermore, the closed-loop operations of the topologies with the applications were performed infrequently. This review is more beneficial for researchers working in this KY converter's domain.

ACKNOWLEDGMENT

The publication of this article was funded by Qatar National Library.

REFERENCES

- [1] F. L. Luo and H. Ye, *Essential DC-DC Converters*. New York, NY, USA: CRC Press, 2006.
- [2] N. Mohan, T. M. Undeland, and W. P. Robbins, *Power Electronics*, 2nd ed. New York, NY, USA: Wiley, 2003.
- [3] M. Trynaldowski, *Introduction to Modern Power Electronics*, 1st ed. New York, NY, USA: Wiley, 1998.
- [4] K. Ramash Kumar, "FLC and PWM SMC for KY boost converter," *J. Circuits, Syst. Comput.*, vol. 28, no. 11, pp. 0218–1266, Jul. 2019.
- [5] P. Ramesh, "Performance evaluation of effective multi-structure controllers for KY negative output boost converter," *J. Circuits, Syst. Comput.*, to be published, doi: 10.1142/S0218126622500335.
- [6] F. L. Luo, "Positive output Luo converters voltage lift technique," in *Proc. Inst. Electr. Eng. Electr. Power Appl.*, 1999, vol. 4, no. 146, pp. 415–432.
- [7] X. Chen, F. L. Luo, and H. Ye, "Modified positive output Luo converters," in *Proc. IEEE Int. Conf. Power Electron. Drive Syst. (PEDS)*, vol. 1, Jul. 1999, pp. 450–455.
- [8] F. L. Luo and H. Ye, "Negative output super-lift converters," *IEEE Trans. Power Electron.*, vol. 18, no. 5, pp. 1113–1121, Sep. 2003.
- [9] F. L. Luo and H. Ye, "Positive output super-lift converters," *IEEE Trans. Power Electron.*, vol. 18, no. 1, pp. 105–113, Jan. 2003.
- [10] F. L. Luo and H. Ye, "Positive output multiple-lift push-pull switched-capacitor Luo-converters," *IEEE Trans. Ind. Electron.*, vol. 51, no. 3, pp. 594–602, Jun. 2004.
- [11] M. Zhu and F. L. Luo, "Development of voltage lift technique on double-output transformerless DC-DC converter," in *Proc. 33rd Annu. Conf. IEEE Ind. Electron. Soc. (IECON)*, Nov. 2007, pp. 1983–1988.
- [12] M. Zhu and L. Luo, "Implementing of developed voltage lift technique on SEPIC, Cuk and double-output DC-DC converters," in *Proc. 2nd IEEE Conf. Ind. Electron. Appl. (ICIE)*, May 2007, pp. 674–681.
- [13] H. Rodriguez, R. Ortega, and G. Escobar, "A new family of energy-based non-linear controllers for switched power converters," in *Proc. IEEE Int. Symp. Ind. Electron. (ISIE)*, vol. 2, Jun. 2001, pp. 723–727.
- [14] K. Viswanathan, D. Srinivasan, and R. Oruganti, "A universal fuzzy controller for a non-linear power electronic converter," in *Proc. IEEE World Congr. Comput. Intell. IEEE Int. Conf. Fuzzy Syst. (FUZZ-IEEE)*, vol. 1, May 2002, pp. 46–51.
- [15] S.-H. Huh and G.-T. Park, "An adaptive fuzzy controller for power converters," in *Proc. IEEE Int. Fuzzy Syst. Conf.*, vol. 1, Aug. 1999, pp. 434–439.
- [16] S.-C. Tan, Y. M. Lai, C. K. Tse, and C. K. Wu, "A pulsewidth modulation based integral sliding mode current controller for boost converters," in *Proc. 37th IEEE Power Electron. Spec. Conf.*, Jun. 2006, pp. 1–7.
- [17] E. Vidal-Idiarte, L. Martinez-Salameiro, J. Calvente, and A. Romero, "An H_∞ control strategy for switching converters in sliding-mode current control," *IEEE Trans. Power Electron.*, vol. 21, no. 2, pp. 553–556, Mar. 2006.
- [18] K. I. Hwu and Y. T. Yau, "KY converter and its derivatives," *IEEE Trans. Power Electron.*, vol. 24, no. 1, pp. 128–137, Jan. 2009.
- [19] D. Cortes, J. Alvarez, and J. Alvarez, "Robust control of the boost converter," in *Proc. Int. Conf. Ind. Electron. Control Appl.*, Nov/Dec. 2005, pp. 121–126.
- [20] Y. U. Hong, S. H. Jung, Y. J. Woo, B. K. Choi, and G. H. Cho, "Single-chip quasi-PWM DC-DC converter with fast transient response comprising loop-bandwidth control," *Electron. Lett.*, vol. 8, no. 41, pp. 501–503, 2005.
- [21] K. K. S. Leung and H. S. H. Chung, "State trajectory prediction control for boost converters," in *Proc. IEEE Int. Symp. Circuits Syst.*, vol. 5, May 2004, pp. 556–559.
- [22] K. I. Hwu and Y. T. Yau, "A KY boost converter," *IEEE Trans. Power Electron.*, vol. 25, no. 11, pp. 2699–2703, Nov. 2010.
- [23] B. Poorali, E. Adib, and H. Farzanehfar, "Soft-switching DC-DC Cuk converter operating in discontinuous-capacitor-voltage mode," *IET Power Electron.*, vol. 10, no. 13, pp. 1679–1686, 2017.
- [24] K. D. Joseph, A. E. Daniel, and A. Unnikrishnan, "Interleaved cuk converter with improved transient performance and reduced current ripple," *J. Eng.*, vol. 2017, no. 7, pp. 362–369, Jul. 2017.
- [25] Z. Sun and Z. Yang, "Improved maximum power point tracking algorithm with Cuk converter for PV systems," *J. Eng.*, vol. 2017, no. 13, pp. 1676–1681, Jan. 2017.
- [26] B. R. Ananthapadmanabha, R. Maurya, S. R. Arya, and B. C. Babu, "Electric vehicle battery charger with improved power quality Cuk-derived PFC converter," *J. Green Eng.*, vol. 7, no. 1, pp. 255–284, 2017.
- [27] Y. Zhang, D. Li, H. Lu, S. Fan, Z. Chen, Y. Wang, and L. Geng, "Analysis and implementation of a high-performance-integrated KY converter," *IEEE Trans. Power Electron.*, vol. 32, no. 12, pp. 9051–9064, Dec. 2017.
- [28] K. I. Hwu and W. Z. Jiang, "A KY converter integrated with a SR boost converter and a coupled inductor," *J. Power Electron.*, vol. 17, no. 3, pp. 621–631, 2017.
- [29] P. Aswin, G. Rajkumar, and K. Maheswaran, "A high efficiency step-up DC-DC converter combining KY and multilevel modular converter with low switching voltage and current stress," *Imperial J. Interdiscipl. Res.*, vol. 3, no. 4, pp. 1–6, 2017.
- [30] I. R. Chandran, S. Ramasamy, M. Ahsan, J. Haider, and E. M. G. Rodrigues, "Implementation of non-isolated zeta-KY triple port converter for renewable energy applications," *Electronics*, vol. 10, no. 14, p. 1681, 2021, doi: 10.3390/electronics10141681.
- [31] X. Du, C. S. Lam, S. W. Sin, F. Maloberti, M.-C. Wong, U. Seng-Pan, and R. P. Martins, "A digital PWM controlled KY step-up converter based on passive sigma-delta modulator," in *Proc. IEEE 3rd Int. Future Energy Electron. Conf. ECCE Asia (IFEEC-ECCE Asia)*, Jun. 2017, pp. 260–264.

- [32] W. L. Zeng, C. S. Lam, S. W. Sin, F. Maloberti, M.-C. Wong, and R. P. Martins, "A 220-MHz bondwire-based fully-integrated KY converter with fast transient response under DCM operation," *IEEE Trans. Circuits Syst. I, Reg. Papers*, vol. 65, no. 11, pp. 3984–3995, Nov. 2018.
- [33] W.-L. Zeng, Z.-Y. Lin, C.-S. Lam, M.-K. Law, S.-W. Sin, F. Maloberti, M.-C. Wong, and R. P. Martins, "Design of KY converter with constant on-time control under DCM operation," *IEEE Trans. Circuits Syst. II, Exp. Briefs*, vol. 66, no. 10, pp. 1753–1757, Oct. 2019.
- [34] D. Sumanth, R. Janga, and P. Vijay, "Design of conventional controller for KY converter based standalone hybrid system with state space modelling," *Int. J. Eng. Res. Technol. (IJERT)*, vol. 8, no. 16, pp. 187–191, 2020.
- [35] E. I. Ortiz-Rivera, J. E. Pabon-De Leon, Y. J. Diaz-Mercado, and M. Lugo-Alvarez, "Voltage control for a thermoelectric generator using a KY-converter," in *Proc. IEEE ANDESCON*, Oct. 2016, pp. 1–4.
- [36] A. Jose and C. Soumya, "Closed loop control of soft switched KY step up converter," in *Proc. Int. Conf. Elect., Electron., Signals, Commun. Optim. (EESCO)*. Visakhapatnam, India: IEEE, 2015.
- [37] K. I. Hwu, W. Z. Jiang, and J.-J. Shieh, "Implementation of type III controller for KY converter based on PSIM," in *Proc. 41st Annu. Conf. IEEE Ind. Electron. Soc. (IECON)*, Nov. 2015, pp. 000141–000145.
- [38] J. M. Bhargyalakshmi, M. Lavanya, M. Arivalagan, and D. Rupendra, "Solar energy based KY converter with inverter," *J. Chem. Pharmaceutical Sci.*, vol. 974, p. 2115, Feb. 2011.
- [39] Y. Xie, S. Fan, C. Yuan, and L. Geng, "Design of improved KY converter with low power ZCD circuit for wide load current application," in *Proc. IEEE Int. Conf. Integr. Circuits, Technol. Appl. (ICTA)*, Nov. 2020, pp. 45–46.
- [40] J. Naveen and M. Barai, "Design and implementation of KY buck-boost converter with voltage mode control," *Int. J. Sci. Eng. Res.*, vol. 8, no. 6, pp. 1604–1609, Jun. 2017.
- [41] T. V. Shiburanj and A. M. Joshua, "Real time simulation of KY boost converter on miniature full spectrum simulator," in *Proc. Int. Conf. Next Gener. Intell. Syst. (ICNGIS)*, Sep. 2016, pp. 1–5.
- [42] S. S. Selvan, K. R. Kumar, and R. Bensraj, "Modeling, simulation and design of variable structure based sliding mode controller for KY-voltage boosting converter," *WSEAS Trans. Circuits Syst.*, vol. 15, pp. 143–154, Jan. 2016.
- [43] A. Jose and C. Soumya, "Soft switched KY step up-converter," in *Proc. Int. Conf. Circuits, Power Comput. Technol. (ICCPCT)*, 2015, pp. 1–5.
- [44] S. J. Kim and H. L. Do, "Soft-switching step-up converter with ripple-free output current," *IEEE Trans. Power Electron.*, vol. 31, no. 8, pp. 5618–5624, Aug. 2016.
- [45] K. R. Kumar, S. Balakumar, and S. A. Hussain, "Improved performance of KY positive output boost converter using classical PI controller," *Int. J. Innov. Technol. Exploring Eng.*, vol. 8, no. 5S, pp. 2278–3075, Mar. 2019.
- [46] W. Zeng, C. Lam, W. Zheng, S. Sin, N. Dai, M. Wong, U. Seng-Pan, and R. P. Martins, "DCM operation analysis of KY converter," *Electron. Lett.*, vol. 51, no. 24, pp. 2037–2039, Nov. 2015.
- [47] A. Kurniawan, E. Haryanto, and A. A. Masroeri, "A neural network based maximum power point tracker with KY converter for photovoltaic system on a moving vehicle," in *Proc. Int. Conf. Adv. Mechatronics, Intell. Manuf., Ind. Autom. (ICAMMIA)*, Oct. 2015, pp. 117–120.
- [48] T. Jayaraj and G. Justin Sunil Dhas, "KY based DC-DC converter for standalone photovoltaic water pumping system employing four switch BLDC drive," in *Proc. 5th Int. Conf. Electr. Energy Syst. (ICEES)*, Feb. 2019, pp. 1–6.
- [49] M. E. Azizkandi, F. Sedaghati, and H. Shayeghi, "An interleaved configuration of modified ky converter with high conversion ratio for renewable energy applications; design, analysis and implementation," *J. Oper. Automat. Power Eng.*, vol. 7, no. 1, pp. 90–106, 2019.
- [50] G. Karthikeyan and R. E. Raj, "KY converter for renewable energy systems," *Int. J. Pure Appl. Math.*, vol. 118, no. 24, 2018.
- [51] A. Priya, "'Sasilatha performance development of a BLDC motor driven water pump using KY converter' Indonesian," *J. Elect. Eng. Comput. Sci.*, vol. 9, no. 3, pp. 602–605, 2018.
- [52] K. I. Hwu and Y. T. Yau, "A novel voltage-boosting converter: KY converter," in *Proc. 22nd Annu. IEEE Appl. Power Electron. Conf. Expo. (APEC)*, Feb. 2007, pp. 368–372.
- [53] K. I. Hwu and Y. T. Yau, "A novel voltage-buck/boosting converter: KY buck-boost converter," in *Proc. IEEE Int. Conf. Ind. Technol.*, Apr. 2008, pp. 1–4.
- [54] K. I. Hwu and Y. T. Yau, "Topology exchange between KY converter and its derivative," in *Proc. 23rd Annu. IEEE Appl. Power Electron. Conf. Expo.*, Feb. 2008, pp. 1675–1678.
- [55] K. I. Hwu and Y. T. Yau, "2nd-order derived KY converters: 1-plus-2D and 2-plus-D converters," in *Proc. IEEE Int. Conf. Ind. Technol.*, Apr. 2008, pp. 1–4.
- [56] K. I. Hwu and Y. T. Yau, "Soft switching of KY converter," in *Proc. Twenty-Third Annu. IEEE Appl. Power Electron. Conf. Expo.*, Feb. 2008, pp. 1477–1482.
- [57] Y.-S. Chou, C.-J. Song, and K. I. Hwu, "On the design of fuzzy-controlled KY converter," in *Proc. Int. Conf. Power Electron. Drive Syst. (PEDS)*, Nov. 2009, pp. 701–705.
- [58] K. I. Hwu and Y. H. Chen, "Bidirectional control of inverse KY converter," in *Proc. IEEE Int. Symp. Ind. Electron.*, Jul. 2009, pp. 809–812.
- [59] K. I. Hwu, Y. H. Chen, and W. C. Tu, "Negative-output KY boost converter," in *Proc. IEEE Int. Symp. Ind. Electron.*, Jul. 2009, pp. 272–274.
- [60] K. I. Hwu, W. C. Tu, and Y. H. Chen, "A novel negative-output KY boost converter," in *Proc. Int. Conf. Power Electron. Drive Syst. (PEDS)*, Nov. 2009, pp. 1155–1157.
- [61] K. I. Hwu, Z. F. Lin, and Y. H. Chen, "A novel negative-output KY buck-boost converter," in *Proc. Int. Conf. Power Electron. Drive Syst. (PEDS)*, Nov. 2009, pp. 1158–1162.
- [62] K. I. Hwu, Y. H. Chen, and Z.-F. Lin, "Negative-output KY buck-boost converter," in *Proc. 4th IEEE Conf. Ind. Electron. Appl.*, May 2009, pp. 3347–3350.
- [63] K. I. Hwu and Y. T. Yau, "Two types of KY buck-boost converters," *IEEE Trans. Ind. Electron.*, vol. 56, no. 8, pp. 2970–2980, Aug. 2009.
- [64] K. I. Hwu and Y. T. Yau, "Soft switching of negative-output KY buck converter," in *Proc. 24th Annu. IEEE Appl. Power Electron. Conf. Expo.*, Feb. 2009, pp. 1053–1060.
- [65] K. I. Hwu and Y. T. Yau, "KY converter with zero voltage switching," in *Proc. 5th IEEE Conf. Ind. Electron. Appl.*, Jun. 2010, pp. 1103–1106.
- [66] K. I. Hwu, C. C. Lin, and J. J. Shieh, "Derivative three-level boost converter cascaded with KY converter," in *Proc. Int. Conf. Elect. Mach. Syst.*, Oct. 2010, pp. 387–390.
- [67] K. I. Hwu and Y. T. Yau, "Inductor-coupled KY boost converter," *Electron. Lett.*, vol. 46, no. 24, pp. 1624–1626, 2010.
- [68] K. I. Hwu, K. W. Huang, and W. C. Tu, "Step-up converter combining KY and buck-boost converters," *Electron. Lett.*, vol. 47, no. 12, pp. 722–724, 2011.
- [69] K. I. Hwu and T. J. Peng, "A novel buck-boost converter combining KY and buck converters," *IEEE Trans. Power Electron.*, vol. 27, no. 5, pp. 2236–2241, May 2012.
- [70] S. Karthikumar, N. Mahendran, and S. Sriraman, "Design of fuzzy logic controller for output voltage ripple (OVR) reduction of KY boost converter," in *Proc. Int. Conf. Emerg. Trends Electr. Eng. Energy Manage. (ICETEEM)*, Dec. 2012, pp. 181–185.
- [71] S. Karthikumar, N. Mahendran, and T. Karthickraja, "Neuro-fuzzy control of 2nd order KY converter," in *Proc. IEEE Int. Conf. Power Electron., Drives Energy Syst. (PEDES)*, Dec. 2012, pp. 1–4.
- [72] M. Aoun, M. El-Maalouf, N. Rouhana, H. Y. Kanaon, and K. Al-Haddad, "Average modeling and linear control of a buck-boost KY converter," in *Proc. 5th Int. Symp. Commun., Control Signal Process.*, May 2012, pp. 1–5.
- [73] K. I. Hwu and T. J. Peng, "A novel inductor-coupled step-up-down converter," in *Proc. IEEE 3rd Int. Conf. Sustain. Energy Technol. (ICSET)*, Sep. 2012, pp. 361–363.
- [74] S. Radhika, G. Irusapparajan, and B. S. Manikanda Prabhu, "Introduction to KY converter for voltage ripple reduction: A technological literature survey," in *Proc. IET Chennai 4th Int. Conf. Sustain. Energy Intell. Syst. (SEISCON)*, 2013, pp. 217–221.
- [75] K. I. Hwu, W. Z. Jiang, and H. M. Chen, "Voltage gain enhancement of KY converter," in *Proc. IEEE Int. Conf. IEEE Region (TENCON)*, Oct. 2013, pp. 1–4.
- [76] K. I. Hwu and W. Z. Jiang, "Applying coupled inductor to step-up converter constructed by KY and buck-boost converters," in *Proc. IEEE Int. Symp. Ind. Electron.*, May 2013, pp. 1–6.
- [77] F. Wang, Y. Zhang, and X. Ma, "Small signal transfer functions modeling and analysis for open loop KY converter," in *Proc. IEEE Int. Symp. Ind. Electron.*, May 2013, pp. 1–4.
- [78] G. Joseph and V. Renjini, "Analysis and comparison of inductor coupled buck-boost converter combining KY converter and SR buck converter," in *Proc. Int. Conf. Circuits, Power Comput. Technol. (ICCPCT)*, Mar. 2014, pp. 254–259.
- [79] K. I. Hwu and W. Z. Jiang, "Voltage gain enhancement for a step-up converter constructed by KY and buck-boost converters," *IEEE Trans. Ind. Electron.*, vol. 61, no. 4, pp. 1758–1768, Apr. 2014.

- [80] K. I. Hwu and W. Z. Jiang, "Improvement in voltage conversion ratio for step up converter established by KY and buck-boost converters based on coupled inductor," *IET Power Electron.*, vol. 7, no. 6, pp. 1457–1465, 2014.
- [81] J. H. Jose and K. Pramelakumari, "A positive output buck boost converter combining KY and SR-buck converters," in *Proc. Int. Conf. Power, Instrum., Control Comput. (PICC)*, Dec. 2015, pp. 1–5.
- [82] K. I. Hwu, W. Z. Jiang, and J.-J. Shieh, "Study and simulation on control-to-output transfer function of KY boost converter," in *Proc. 41st Annu. Conf. IEEE Ind. Electron. Soc. (IECON)*, Nov. 2015, pp. 000146–000149.



K. RAMASH KUMAR received the B.E. degree in electrical and electronics engineering from the University of Madras, India, in 2002, the M.Tech. degree from the Pondicherry Engineering College, Pondicherry, India, in 2005, and the Ph.D. degree from the Department of Electrical Engineering, Jawaharlal Nehru Technological University (J.N.T.U.), Hyderabad, India, in 2014. He has 18.02 years of teaching experience in the reputed engineering colleges. Currently, he is working as a Professor with the Dr. N.G.P. Institute of Technology, Coimbatore, Tamilnadu, India. He has authored more than 68 papers published in national and international conference proceedings and professional journals. He has published four books/book chapters as the author. He has published three national patents. He received funds from various government/non-government agencies, such as CSIR and AICTE for organizing conferences/seminars/product developments/projects. He received seed money for research project from the Management, Karpagam College of Engineering, Coimbatore, Tamilnadu. His research interests include classical controller design for dc–dc converters, luo converters, resonant converters, power quality, modeling of power converters, high power factor converters, multilevel converters, and inverters. He has made a significant contribution to the sliding mode control for LUO family converters through his publications and has developed close ties with the international research community in the area. He received the Kalpa Acharya Award, the Best Researcher from BEEA-2021, CSR Professional, CGI, Neonatologist, NHS, London, Dignepneur, London, City Healthcare Private Ltd. He regularly reviews article of *IET Power Electronics*, *International Journal of Power and Energy System* (Elsevier), *Electric Power Component and System* (Taylor and Francis), *International Journal of Power Electronics* (Indscience), *WASET*, *International Transaction on Electrical Energy System* (Wiley), *WSEAS Transaction on Circuit and Systems/Control Systems*, *IEEE TRANSACTION ON INDUSTRIAL ELECTRONICS*, and *IEEE TRANSACTION ON POWER ELECTRONICS*. He is an Active Member of the professional societies, IAENG, ISTE, IRED, and ISRD. He is an Editorial Board Member of the *International Journal of Electronic Engineering Research* (Research India Publication) and *Open Journal of Engineering Research and Technology*.



K. RAMEEZ RAJA received the B.E. degree in electrical and electronics engineering and the M.E. degree in power electronics and drives from Anna University, India, in 2008 and 2015, respectively, where he is currently pursuing the Ph.D. degree in power electronics with the Department of Electrical and Electronics Engineering. Currently, he is working as an Assistant Professor with the Aalim Muhammed Salegh College of Engineering, Chennai, Tamilnadu, India. He has authored six papers published in national and international conference proceedings and professional journals. His research interests include in modeling and design of contemporary controllers for power converters.



SANJEEVIKUMAR PADMANABAN (Senior Member, IEEE) received the bachelor's degree in electrical engineering from the University of Madras, Chennai, India, in 2002, the master's degree (Hons.) in electrical engineering from Pondicherry University, India, in 2006, and the Ph.D. degree in electrical engineering from the University of Bologna, Bologna, Italy, in 2012. He was an Associate Professor with VIT University, from 2012 to 2013. In 2013, he joined the National Institute of Technology, India, as a Faculty Member. In 2014, he was invited as a Visiting Researcher with the Department of Electrical Engineering, Qatar University, Doha, Qatar, funded by the Qatar National Research Foundation (Government of Qatar). He continued his research activities with the Dublin Institute of Technology, Dublin, Ireland, in 2014. Further, he served as an Associate Professor with the Department of Electrical and Electronics Engineering, University of Johannesburg, Johannesburg, South Africa, from 2016 to 2018. Since 2018, he has been a Faculty Member with the Department of Energy Technology, Aalborg University, Esbjerg, Denmark. He has authored over 300 scientific papers. He is a fellow of the Institution of Engineers, India; the Institution of Electronics and Telecommunication Engineers, India; and the Institution of Engineering and Technology, U.K. He was a recipient of the Best Paper Cum Most Excellence Research Paper Award from IETSEISCON'13, IET-CEAT'16, IEEE-EECSI'19, IEEE-CENCON'19, and five best paper awards from ETAEERE'16 sponsored *Lecture Notes in Electrical Engineering* (Springer). He is an Editor/Associate Editor/Editorial Board for refereed journals, in particular the *IEEE SYSTEMS JOURNAL*, *IEEE TRANSACTION ON INDUSTRY APPLICATIONS*, *IEEE ACCESS*, *IET Power Electronics*, *IET Electronics Letters*, and *International Transactions on Electrical Energy Systems* (Wiley); a Subject Editorial Board Member of *Energy Sources and Energies* (MDPI); and the Subject Editor of the *IET Renewable Power Generation*, *IET Generation*, *Transmission and Distribution*, and *FACTS Journal* (Canada).



S. M. MUYEEN (Senior Member, IEEE) received the B.Sc.Eng. degree in electrical and electronic engineering from the Rajshahi University of Engineering and Technology (RUET, formerly known as the Rajshahi Institute of Technology), Bangladesh, in 2000, and the M.Eng. and Ph.D. degrees in electrical and electronic engineering from the Kitami Institute of Technology, Japan, in 2005 and 2008, respectively. Currently, he is working as a Full Professor with the Electrical Engineering Department, Qatar University. He has been a keynote speaker and an invited speaker at many international conferences, workshops, and universities. He has published more than 250 articles in different journals and international conferences. He has published seven books as the author or an editor. His research interests include power system stability and control, electrical machine, FACTS, energy storage systems (ESSs), renewable energy, and HVDC systems. He is a fellow of Engineers Australia. He is serving as an Editor/Associate Editor for many prestigious Journals from IEEE, IET, and other publishers, including *IEEE TRANSACTIONS ON ENERGY CONVERSION*, *IEEE POWER ENGINEERING LETTERS*, *IET Renewable Power Generation*, and *IET Generation, Transmission and Distribution*.



BASEEM KHAN (Senior Member, IEEE) received the B.Eng. degree in electrical engineering from Rajiv Gandhi Technological University, Bhopal, India, in 2008, and the M.Tech. and D.Phil. degrees in electrical engineering from the Maulana Azad National Institute of Technology, Bhopal, in 2010 and 2014, respectively. He is currently working as a Faculty Member with Hawassa University, Ethiopia. His research interests include power system restructuring, power system planning, smart grid technologies, meta-heuristic optimization techniques, reliability analysis of renewable energy systems, power quality analysis, and renewable energy integration.

...